



ELECTRONICS



DUAL BAND Mobile Cellular Phone SGH-T100

SERVICE *Manual*

DUAL BAND MOBILE CELLULAR PHONE



CONTENTS

1. Exploded Views and Parts List
2. PCB Diagrams
3. Electrical Parts List
4. Block Diagrams
5. Flow Chart of Troubleshooting and Circuit Diagram

1. Exploded Views and Parts List

- 1-1 Main
- 1-2 Main Parts List
- 1-3 Travel Adapter
- 1-4 Travel Adapter Parts List
- 1-5 Ciger Light Adapter
- 1-6 Ciger Light Adapter Parts List
- 1-7 Test Jig
- 1-8 Wearable EAR Microphone
- 1-9 Data Kit
- 1-10 Battery Charger

2. PCB Diagrams

- 2-1 Main Top
 - 2-1-1 Main RF Top
 - 2-1-2 Main Base Band Top
- 2-2 Main Bottom
 - 2-2-1 Main RF Bottom
 - 2-2-2 Main Base Band Bottom

3. Electrical Parts List

- 3-1 Main Parts List Top
- 3-2 Main Parts List Bottom

4. Block Diagrams

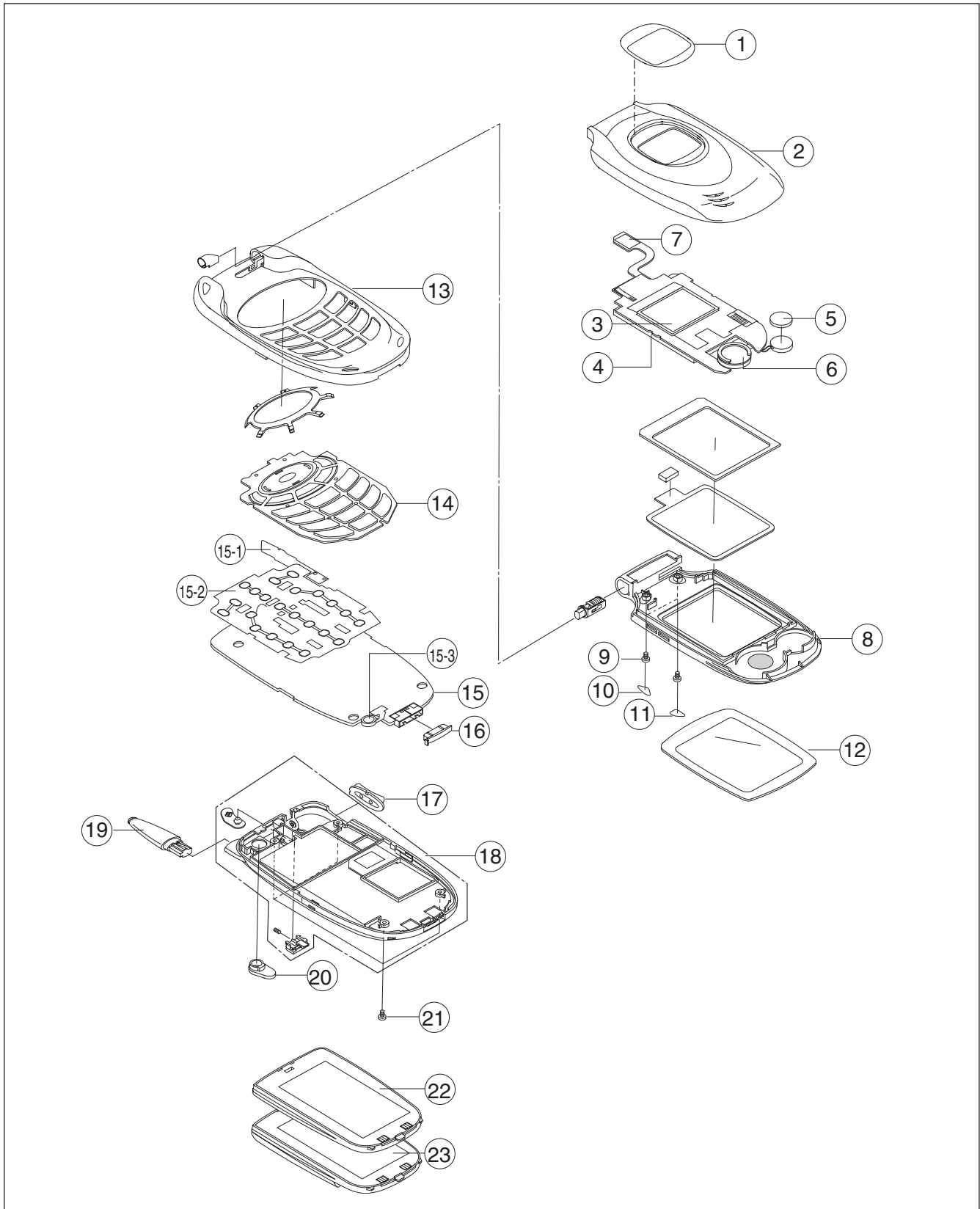
- 4-1 Main Base Band
- 4-2 Main RF
 - 4-2-1 RF Tx Part
 - 4-2-2 RF Rx Part

5. Flow chart of Troubleshooting and Circuit Diagram

- 5-1 Power ON
- 5-2 Initial
- 5-3 Charging Part
- 5-4 Sim Part
- 5-5 Microphone Part
- 5-6 Speaker Part
- 5-7 Key Data Input
- 5-8 Alert tone
- 5-9 Ring Indicator
- 5-10 Back Light (for Color Main LCD)
- 5-11 Back Light (for sub LCD & Key)
- 5-12 GSM Receiver
- 5-13 GSM Transmit
- 5-14 DCS Receiver
- 5-15 DCS Transmit

1. SGH-T100 Exploded Views and Parts List

1-1 Main



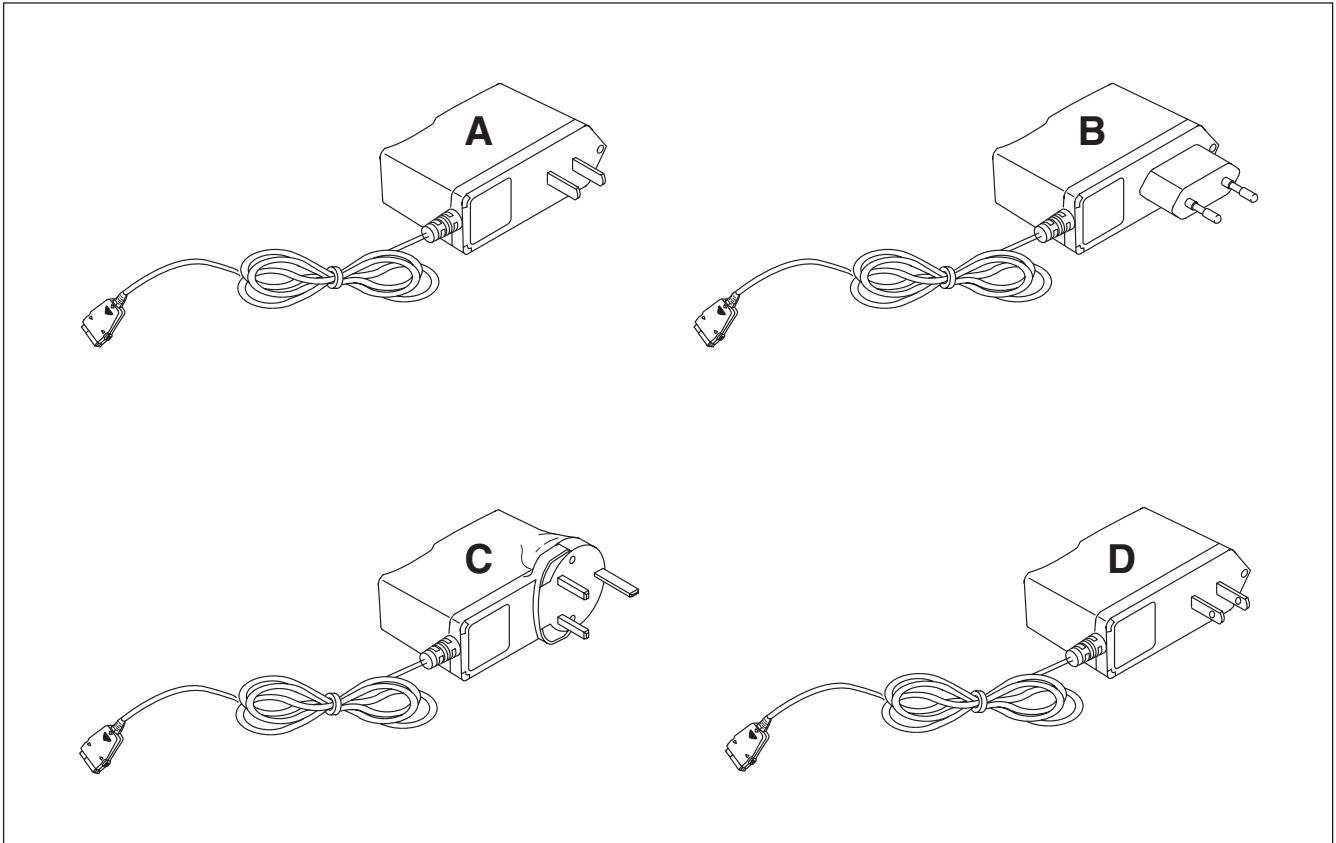
1-2 Main Parts List

Location No.	Description	SEC CODE	Remark
1	DUAL WINDOW LCD	GH72-03659B	
2	FOLDER UPPER	GH75-01772A	
3	LCD F-PCB	GH07-00147A	
4	LCD - TFT	GH07-00126A	
5	MOTOR	3101-001243	
6	SPEAKER	3001-001257	
7	CON TO CON	GH59-00305A	
8	FOLDER LOWER	GH75-01773A	
9	SCREW	6001-001285	
10	SCREW CAP(LEFT)	GH74-02761A	
11	SCREW CAP(RIGHT)	GH74-02760A	
12	WINDOW LCD	GH72-04239B	
13	FRONT COVER	GH75-01776A	
14	KEY PAD	GH75-01861A	
15	MAIN PBA	GH92-01300A	
15-1	V/K FPCB	GH59-00366A	
15-2	DOME SHEET	GH59-00365A	
15-3	MIC	GH59-00336A	
16	CONNECTOR COVER	GH73-00741A	
17	VOLUME KEY	GH75-01205A	
18	REAR COVER	GH75-01777A	
19	ANTENNA	GH42-00164A	
20	MOBILE CAP	GH73-00950A	
21	SCREW	6001-000464	
22	BATTERY	GH43-00512D	
23	BATTERY	GH43-00516D	

SGH-T100 COLOR & CODE

ITEM	COLOR	SILVER	WHITE PEARL	GOLD	YELLOW GREEN
	MEC-FOLDER DUMY		GH75-01774A	GH75-01774A	GH75-01774B
MEC-FOLDER UPPER		GH75-01772A	GH75-01772B	GH75-01772C	GH75-01772E
MEC-FOLDER LOWER		GH75-01773A	GH75-01773B	GH75-01773B	GH75-01773E
MEC-FRONT COVER		GH75-01776A	GH75-01776B	GH75-01776C	GH75-01776E
MEC-REAR COVER		GH75-01777A	GH75-01777B	GH75-01777C	GH75-01777E
MPR-SCREW CAP LEFT		GH74-01466A	GH74-01466B	GH74-01466D	GH74-01466F
MPR-SCREW CAP LEFT		GH74-01467A	GH74-01467B	GH74-01467D	GH74-01467F
BATTERY-700M		GH43-00516D	GH43-00516A	GH43-00516B	GH43-00516C
BATTERY-900M		GH43-00512D	GH43-00512A	GH43-00512B	GH43-00512C

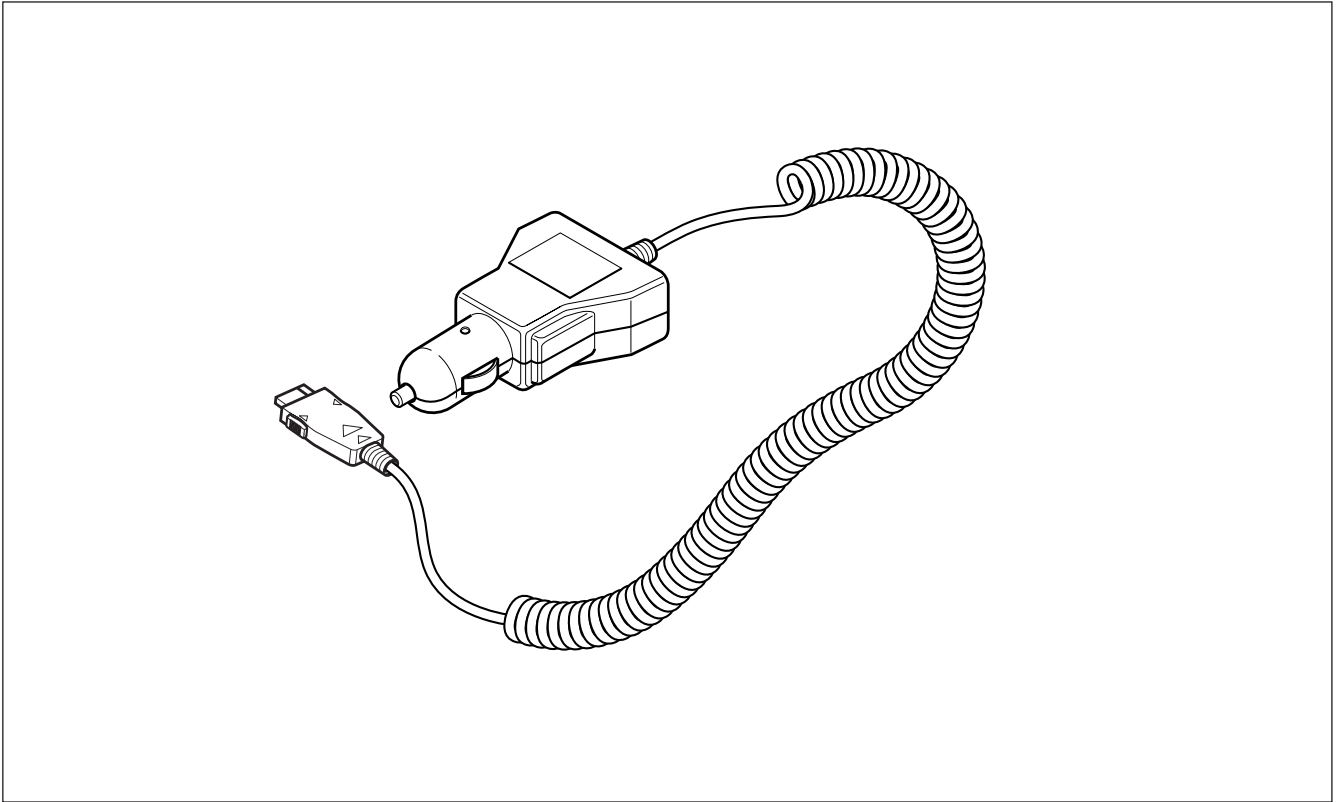
1-3 Travel Adapter



1-4 Travel Adapter Parts List

TYPE	SEC CODE	REMARK
A	GH44-00171A	CHINA
B	GH44-00184A	EUROPE
C	GH44-00171C	UNITED KINGDOM
D	Gh44-00171E	TAIWAN

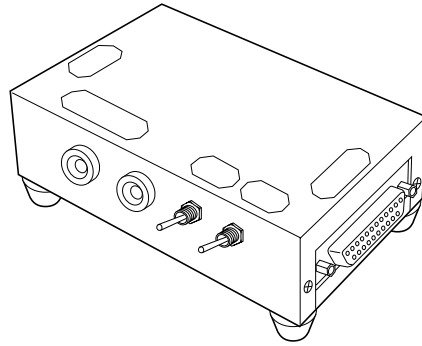
1-5 Ciger Light Adapter



1-6 Ciger Light Adapter Parts List

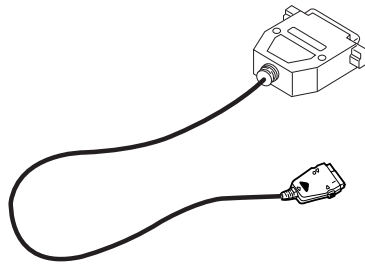
DESCRIPTION	SEC CODE	REMARK
Ciger Light Adapter Code	GH44-00170A	BLACK

1-7 Test Jig



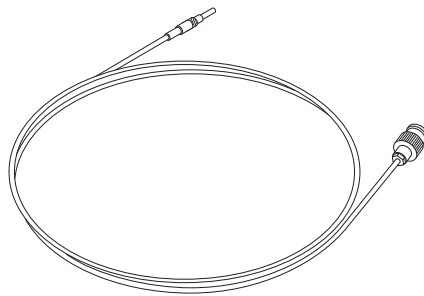
TEST JIG

GH80-10508A



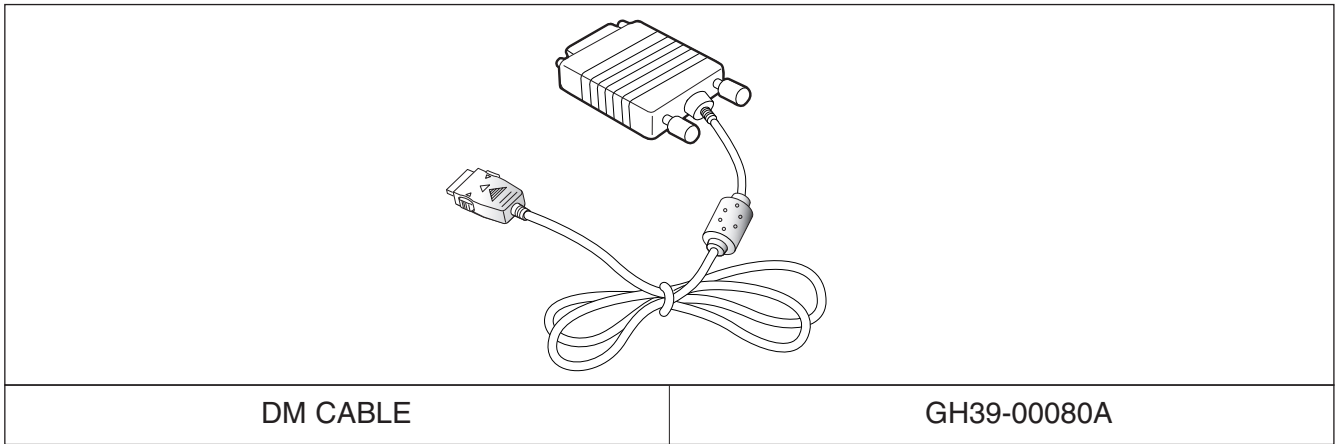
TEST JIG CABLE

GH39-00079A

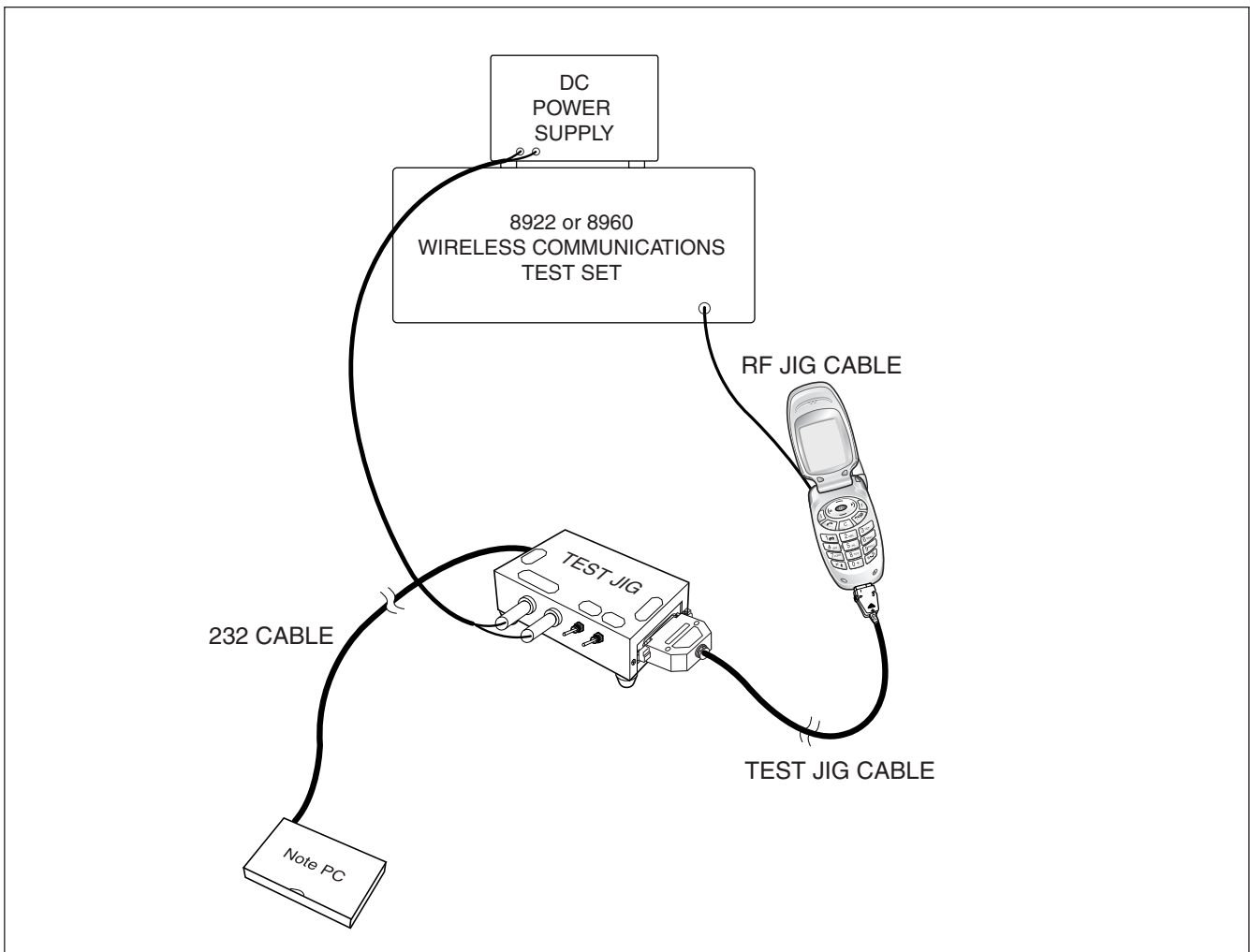


RF JIG CABLE

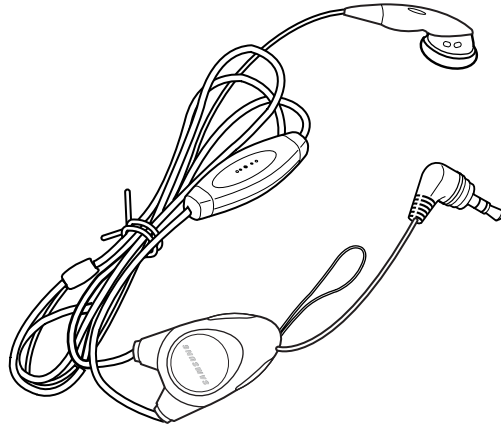
GH39-0002A



1-7-1 Test Jig



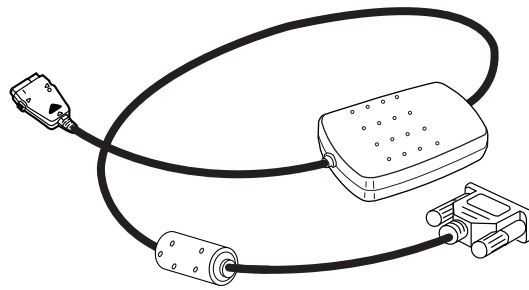
1-8 Wearable EAR Microphone



Wearable EAR Microphone

GH59-00322A

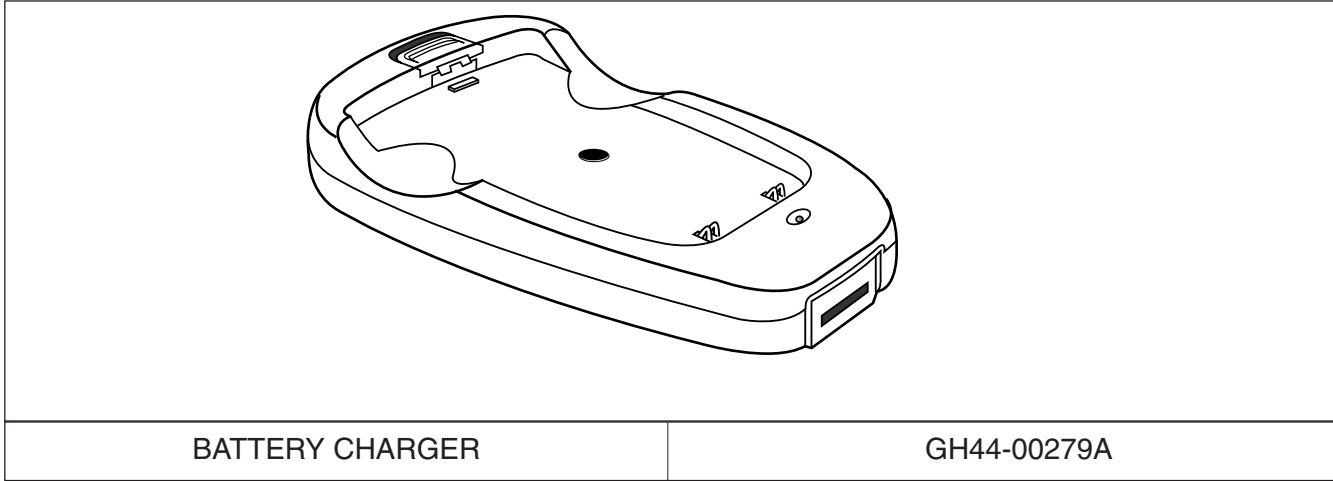
1-9 Data Kit



DATA KIT

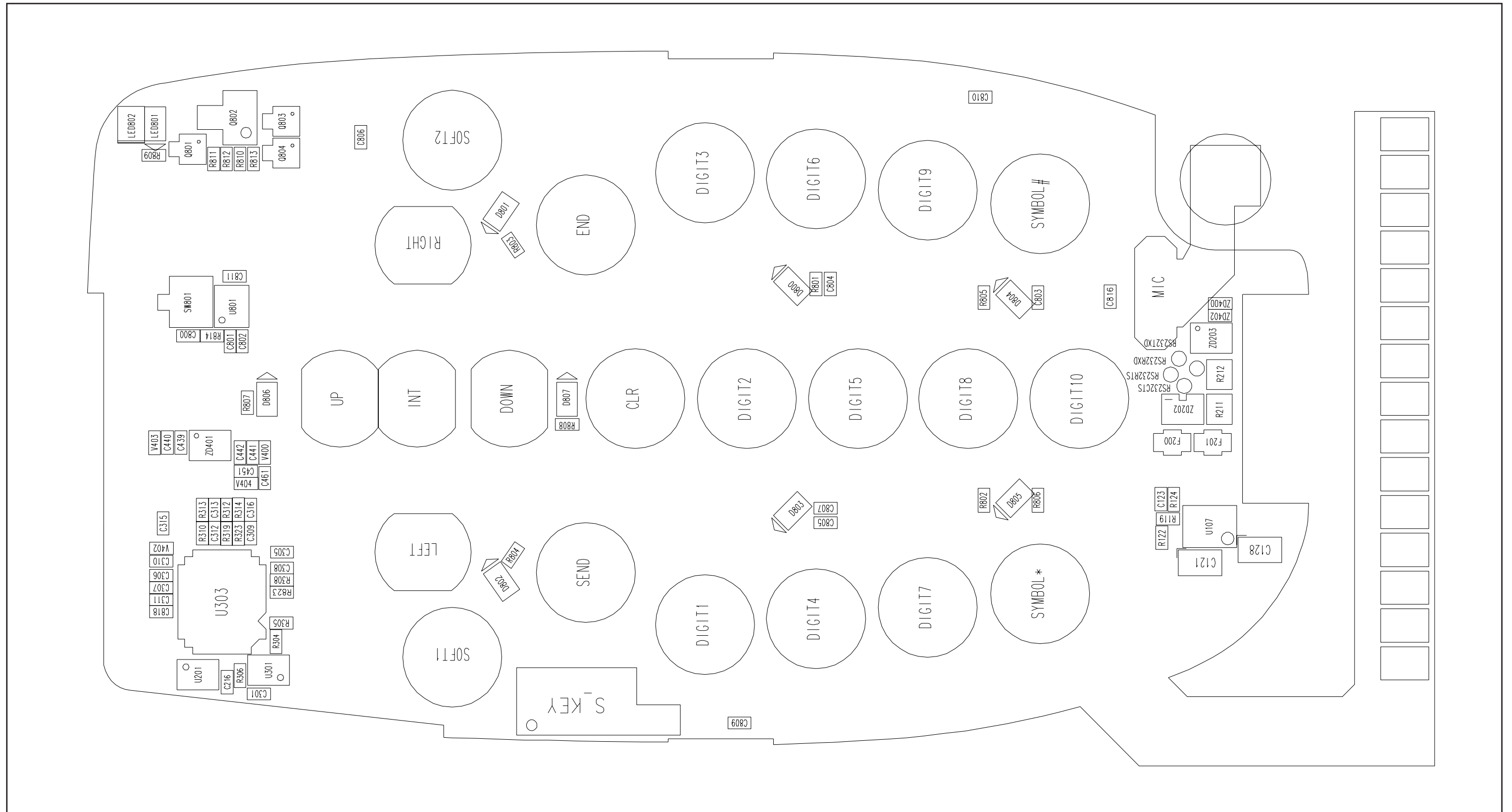
GH39-00078A

1-10 Battery Charger

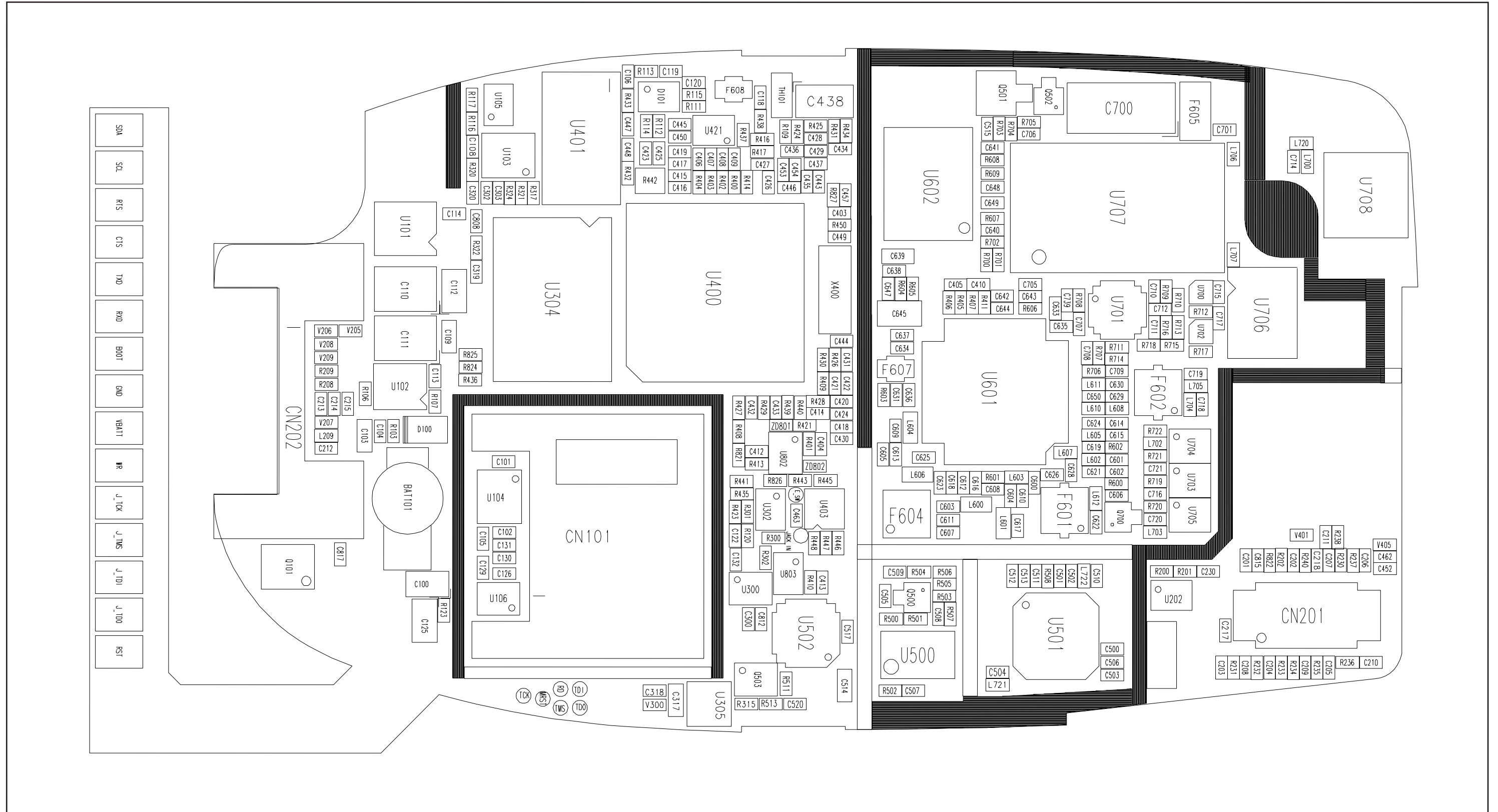


2. PCB Diagrams

2-1 Main Top



2-2 Main Bottom



3. Electrical Parts List

3-1 Main Parts List Top

NO	SER CODE	Reference	Part Description	Vendor Part No.
1	C304	2203-005664	"C-CERAMIC,CHIP;C475K,4.7UF,6.3V"	JMK212 BJ475KG-T
2	U201	0801-000794	IC;TC7S08FUTE85L	TC7S08FUTE85L
3	C216	2203-000138	"C-CERAMIC,CHIP;C152K,1.5NF,50V"	CL05B152KBNC
4	R306	2007-000148	"R-CHIP;10K,5%"	RC1005J103CS
5	C301	2203-000254	"C-CERAMIC,CHIP;C103K,10NF,16V"	GRP155R71C103KA01E
6	U301	0801-002237	IC;TC7SH04FU-TE85L	TC7SH04FU-TE85L
7	U303	1204-001811	IC;YMU759-QE2	YMU759-QE2
8	R304	2007-001313	"R-CHIP;330,5%"	RC1005J331CS
9	R305	2007-007014	"R-CHIP;51K,5%"	MCR01MZSJ513
10	"D800,D801,D802,D803"	0601-001547	IC;SLS-NNBL102TS	SLS-NNBL102TS
11	"D804,D805,D806,D807"	0601-001547	IC;SLS-NNBL102TS	SLS-NNBL102TS
12	"R801,R802,R803,R804"	2007-007009	"R-CHIP;75ohm,5%"	RC1005J750CS
13	"R805,R806,R807,R808"	2007-007009	"R-CHIP;75ohm,5%"	RC1005J750CS
14	"C803,C804,C805,C806"	2203-000679	"C-CERAMIC,CHIP;C270J,27PF,50V"	GRP1555C1H270JZ01E
15	"C807,C809,C810"	2203-000679	"C-CERAMIC,CHIP;C270J,27PF,50V"	GRP1555C1H270JZ01E
16	C816	2203-000995	"C-CERAMIC,CHIP;C470J,47PF,50V"	GRP1555C1H470JZ01E
17	C121	2404-001105	"C-TA,CHIP;10UF/6.3V"	ECST0JZ106R
18	U107	1203-002127	IC;LTC1734ES6-4.2#TR	LTC1734ES6-4.2#TR
19	C128	2404-001105	"C-TA,CHIP;10UF/6.3V"	ECST0JZ106R
20	R122	2007-007107	"R-CHIP;100K,1%"	RK73H1ETP1003F
21	R119	2007-007590	"R-CHIP;82K,1%"	MCR01MZSF8202
22	C123	2203-005061	"C-CERAMIC,CHIP;C104Z,100NF,16V"	CL05F104ZONC
23	R124	2007-008117	"R-CHIP;2.7K,1%"	RK73H1ETP2701F
24	"F200,F201"	2901-001116	COMP-SMD;NFM39R12C471T1	NFM39R12C471T1
25	ZD202	0406-001104	TR-SMALL SIGNAL;ESDA6V1-5W6	ESDA6V1-5W6
26	ZD203	0406-001083	TR-SMALL SIGNAL;ESDA6V1W5	ESDA6V1W5
27	"R211,R212"	2011-001344	R-CHIP;CRB2A4E101JT	CRB2A4E101JT
28	ZD400	1405-001082	IC;VC040205X150R	VC040205X150R
29	ZD402	1405-001082	IC;VC040205X150R	VC040205X150R
30	C818	2203-000679	"C-CERAMIC,CHIP;C270J,27PF,50V"	GRP1555C1H270JZ01E
31	R810	2007-001306	"R-CHIP;150,5%"	RC1005J151CS
32	R809	2007-000138	"R-CHIP;100,5%"	RC1005J101CS
33	LED802	0601-001402	IC;CL-165HR/YG-D	CL-165HR/YG-D
34	LED801	0601-001547	IC;SLS-NNBL102TS	SLS-NNBL102TS
35	"Q801,Q803,Q804"	0504-001012	TR-SMALL SIGNAL;DTC114YE	DTC114YE
36	Q802	0501-002011	TR-SMALL SIGNAL;2SD2114KT146V	2SD2114KT146V
37	R811	2007-003013	"R-CHIP;2.4K,5%"	RC1005J242CS
38	R812	2007-000162	"R-CHIP;100K,5%"	RC1005J104CS
39	R813	2007-001313	"R-CHIP;330,5%"	RC1005J331CS

NO	SER CODE	Reference	Part Description	Vendor Part No.
40	SW801	1009-001010	IC;A3212ELH-SAMSUNG	A3212ELH-SAMSUNG
41	C811	2203-000679	"C-CERAMIC,CHIP;C270J,27PF,50V"	GRP1555C1H270JZ01E
42	C800	2203-005061	"C-CERAMIC,CHIP;C104Z,100NF,16V"	CL05F104ZONC
43	C801	2203-002443	"C-CERAMIC,CHIP;C331K,330PF,50V"	CL05B331KBNC
44	C802	2203-000679	"C-CERAMIC,CHIP;C270J,27PF,50V"	GRP1555C1H270JZ01E
45	R814	2007-000162	"R-CHIP;100K,5%"	RC1005J104CS
46	U801	0504-001060	TR-SMALL SIGNAL;BCR08PN	BCR08PN
47	"V400,V402,V403,V404"	1405-001082	IC;VC040205X150R	VC040205X150R
48	"C440,C442"	2203-000995	"C-CERAMIC,CHIP;C470J,47PF,50V"	GRP1555C1H470JZ01E
49	ZD401	0406-001084	TR-SMALL SIGNAL;SMF05.TB	SMF05.TB
50	C451	2203-000679	"C-CERAMIC,CHIP;C270J,27PF,50V"	GRP1555C1H270JZ01E
51	C461	2203-005444	"C-CERAMIC,CHIP;C030B,3PF,50V"	GRP1555C1H3R0BZ01E
52	"C307,C310,C311"	2203-000679	"C-CERAMIC,CHIP;C270J,27PF,50V"	GRP1555C1H270JZ01E
53	C306	2203-000870	"C-CERAMIC,CHIP;C030C,3PF,50V"	GRP1555C1H3R0CZ01E
54	"C305,C309,C315"	2203-005061	"C-CERAMIC,CHIP;C104Z,100NF,16V"	CL05F104ZONC
55	C312	2203-001405	"C-CERAMIC,CHIP;C223Z,22NF,25V"	GRP1555F51E223ZD01E
56	C313	2203-000654	"C-CERAMIC,CHIP;C271K,270PF,50V"	GRP1555R71H271KD01E
57	C316	2203-000885	"C-CERAMIC,CHIP;C472K.4.7NF,25V"	GRP1555R71E472KA01E
58	C308	2203-000438	"C-CERAMIC,CHIP;C102K,1NF,50V"	GRP1555R71H102KA01E
59	R308	2007-001325	"R-CHIP;3.3K,5%"	RC1005J332CS
60	R823	2007-000162	"R-CHIP;100K,5%"	RC1005J104CS
61	R310	2007-000831	"R-CHIP;39K,5%"	RC1005J393CS
62	"R312,R313,R314"	2007-000775	"R-CHIP;33K,5%"	RK73K1ETP333J

3-2 Main Parts List Bottom

NO	SER CODE	Reference	Part Description	Vendor Part No.
1	D100	0401-001033	TR-SMALL SIGNAL;MCL4154	MCL4154
2	D101	0407-001007	TR-SMALL SIGNAL;UMN1	UMN1
3	Q500	0501-000225	TR-SMALL SIGNAL;2SC4617	2SC4617
4	Q101	0502-001201	TR-SMALL SIGNAL;ZXT13P20DE6	ZXT13P20DE6
5	Q502	0504-000167	TR-SMALL SIGNAL;DTC114EE/TR	DTC114EE/TR
6	Q700	0504-001012	TR-SMALL SIGNAL;DTC114YE	DTC114YE
7	Q501	0504-001021	TR-SMALL SIGNAL;DTB113ZK	DTB113ZK
8	"U703,U704,U705"	0504-001060	TR-SMALL SIGNAL;BCR08PN	BCR08PN
9	U802	0504-001060	TR-SMALL SIGNAL;BCR08PN	BCR08PN
10	U102	0505-001376	TR-SMALL SIGNAL;SI3865DV	SI3865DV
11	"Q503,U106,U300"	0505-001423	TR-SMALL SIGNAL;FDG6323L	FDG6323L
12	U105	0506-001004	LED;UMC5NTL	UMC5NTL
13	U803	0801-002237	IC;TC7SH04FU-TE85L	TC7SH04FU-TE85L
14	"U202,U302"	0801-002540	IC;NC7SZ19P6X	NC7SZ19P6X
15	U421	1001-001145	IC;MAX4599EXT-T	MAX4599EXT-T
16	U305	1003-001440	IC;MDC3105LT1	MDC3105LT1
17	U401	1103-001262	IC;AT24C512-10CI-2.7	AT24C512-10CI-2.7
18	U304	1109-001218	IC;LRS1806	LRS1806
19	U403	1201-001729	IC;LMC6035IBPX	LMC6035IBPX
20	U707	1201-001785	IC;PF08123B	PF08123B
21	U104	1203-001518	IC;MIC5219-3.3BM5	MIC5219-3.3BM5
22	U103	1203-002247	IC;S-80926ALMP-DAP-T2	S-80926ALMP-DAP-T2
23	U502	1203-002484	IC;MAX8890	MAX8890
24	U101	1203-002509	IC;R5323N301B	R5323N301B
25	U400	1205-001881	IC;VP40575	VP40575
26	U601	1205-001935	IC;HD155128TF	HD155128TF
27	U501	1209-001337	IC;SI4133-MLP28	SI4133-MLP28
28	U701	1209-001379	IC;HD155173ANPEL	HD155173ANPEL
29	TH101	1404-001005	IC;NTH5G40B473J01TE	NTH5G40B473J01TE
30	V401	1405-001082	IC;VC040205X150R	VC040205X150R
31	V405	1405-001082	IC;VC040205X150R	VC040205X150R
32	ZD802	1405-001082	IC;VC040205X150R	VC040205X150R
33	"V205,V206,V207,V208"	1405-001093	IC;VC040214X200	VC040214X200
34	V209	1405-001093	IC;VC040214X200	VC040214X200
35	"R208,R209,R604"	2007-000138	"R-CHIP;100,5%"	RC1005J101CS
36	"R424,R434"	2007-000139	"R-CHIP;220,5%"	RC1005J221CS
37	"R103,R107,R230,R231"	2007-000140	"R-CHIP;1K,5%"	RC1005J102CS
38	"R232,R233,R234,R235"	2007-000140	"R-CHIP;1K,5%"	RC1005J102CS
39	"R236,R237,R238,R240"	2007-000140	"R-CHIP;1K,5%"	RC1005J102CS
40	"R506,R507,R603,R822"	2007-000140	"R-CHIP;1K,5%"	RC1005J102CS
41	"R432,R433"	2007-000141	"R-CHIP;2.2K,5%"	RC1005J222CS
42	R315	2007-000143	"R-CHIP;4.7K,5%"	RC1005J472CS
43	"R123,R324,R401"	2007-000148	"R-CHIP;10K,5%"	RC1005J103CS

NO	SER CODE	Reference	Part Description	Vendor Part No.
44	"R414,R416,R417,R421"	2007-000148	"R-CHIP;10K,5%"	RC1005J103CS
45	"R435,R440,R502,R508"	2007-000148	"R-CHIP;10K,5%"	RC1005J103CS
46	"R511,R714,R719,R720"	2007-000148	"R-CHIP;10K,5%"	RC1005J103CS
47	R721	2007-000148	"R-CHIP;10K,5%"	RC1005J103CS
48	R423	2007-000152	"R-CHIP;20K,5%"	RC1005J203CS
49	R711	2007-000153	"R-CHIP;22K,5%"	RC1005J223CS
50	R505	2007-000155	"R-CHIP;27K,5%"	RC1005J273CS
51	"R426,R430"	2007-000157	"R-CHIP;47K,5%"	RC1005J473CS
52	"R106,R112,R113,R114"	2007-000162	"R-CHIP;100K,5%"	RC1005J104CS
53	"R115,R116,R117,R200"	2007-000162	"R-CHIP;100K,5%"	RC1005J104CS
54	"R201,R300,R301,R302"	2007-000162	"R-CHIP;100K,5%"	RC1005J104CS
55	"R317,R321,R322,R408"	2007-000162	"R-CHIP;100K,5%"	RC1005J104CS
56	"R409,R410,R413,R427"	2007-000162	"R-CHIP;100K,5%"	RC1005J104CS
57	"R429,R437"	2007-000162	"R-CHIP;100K,5%"	RC1005J104CS
58	"R824,R825,R826"	2007-000162	"R-CHIP;100K,5%"	RC1005J104CS
59	R428	2007-000168	"R-CHIP;470K,5%"	RC1005J474CS
60	"R446,R447"	2007-000170	"R-CHIP;1M,5%"	RC1005J105CS
61	"R500,R713"	2007-000172	"R-CHIP;10,5%"	RC1005J100CS
62	"R600,R602"	2007-000173	"R-CHIP;22,5%"	RC1005J220CS
63	"R609,R709,R710,R715"	2007-000174	"R-CHIP;47,5%"	RC1005J470CS
64	R716	2007-000174	"R-CHIP;47,5%"	RC1005J470CS
65	R504	2007-000242	"R-CHIP;1.5K,5%"	RC1005J152CS
66	R722	2007-000831	"R-CHIP;39K,5%"	RC1005J393CS
67	"R703,R704"	2007-001288	"R-CHIP;18,5%"	RC1005J180CS
68	"R605,R701,R702"	2007-001290	"R-CHIP;24,5%"	MCR01MZSJ240
69	R718	2007-001292	"R-CHIP;33,5%"	MCR01MZSJ330
70	R700	2007-001295	"R-CHIP;39,5%"	RC1005J390CS
71	"R705,R712,R717"	2007-001298	"R-CHIP;51,5%"	MCR01MZSJ510
72	"R607,R608"	2007-001313	"R-CHIP;330,5%"	RC1005J331CS
73	R503	2007-001325	"R-CHIP;3.3K,5%"	RC1005J332CS
74	"R425,R431"	2007-002796	"R-CHIP;510,5%"	MCR01MZSJ511
75	R448	2007-003029	R-CHIP;820K,5%	MCR01MZSJ824
76	R601	2007-007001	"R-CHIP;3.9K,5%"	RC1005J392CS
77	R501	2007-007013	"R-CHIP;9.1K,5%"	RC1005J912CS
78	R606	2007-007135	"R-CHIP;18K,1%"	MCR01MZSF1802
79	"R706,R707"	2007-007142	"R-CHIP;10K,1%"	RK73H1ETP1002F
80	R708	2007-007314	"R-CHIP;5.6K,1%"	MCR01MZSF5601
81	"R400,R402,R403,R404"	2007-007317	"R-CHIP;2.2K,1%"	MCR01MZSF2201
82	"R405,R406,R407,R411"	2007-007318	"R-CHIP;1K,1%"	RK73H1ETP1001F
83	R445	2007-007468	"R-CHIP;121K,1%"	MCR01MZSF1213
84	R109	2007-007538	"R-CHIP;56K,1%"	MCR01MZSF5602
85	R513	2007-007766	"R-CHIP;2K,1%"	RC1005F2001CS
86	"R111,R202,R320,R436"	2007-007771	"R-CHIP;0,5%"	RC1005J000CS

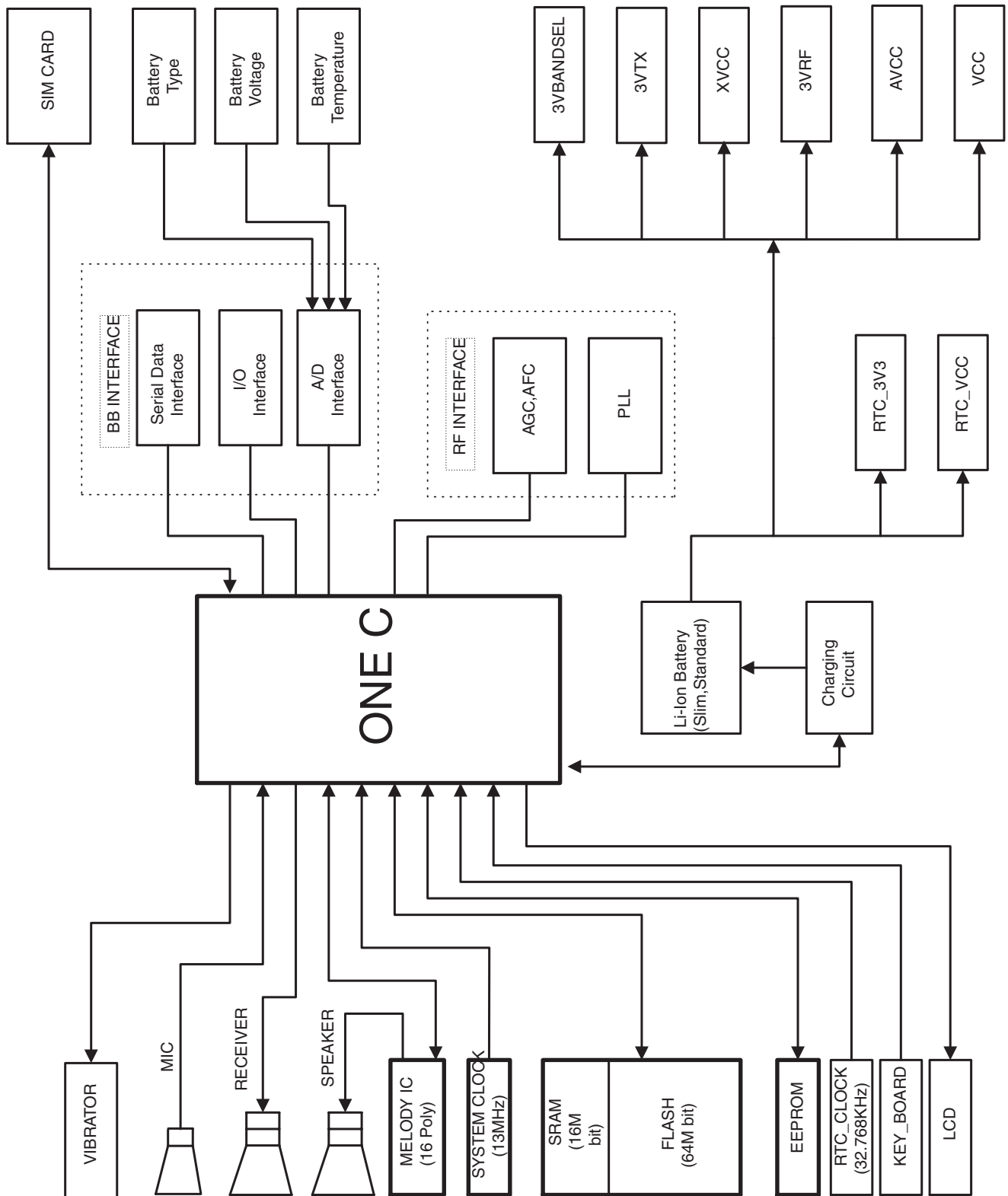
NO	SER CODE	Reference	Part Description	Vendor Part No.
87	"R438,R827"	2007-007771	"R-CHIP;0,5%"	RC1005J000CS
88	R443	2007-007981	"R-CHIP;180K,1%"	ERJ2RKF1803X
89	R442	2011-001345	R-CHIP;EXB28V103JX	EXB28V103JX
90	"C101,C406,C407,C408"	2203-000233	"C-CERAMIC,CHIP;C101J,100PF,50V"	GRP1555C1H101JD01E
91	"C409,C457,C600"	2203-000233	"C-CERAMIC,CHIP;C101J,100PF,50V"	GRP1555C1H101JD01E
92	"C102,C104,C106,C113"	2203-000254	"C-CERAMIC,CHIP;C103K,10NF,16V"	GRP155R71C103KA01E
93	"C114,C126,C300"	2203-000254	"C-CERAMIC,CHIP;C103K,10NF,16V"	GRP155R71C103KA01E
94	"C303,C404,C415,C418"	2203-000254	"C-CERAMIC,CHIP;C103K,10NF,16V"	GRP155R71C103KA01E
95	"C419,C420,C421,C427"	2203-000254	"C-CERAMIC,CHIP;C103K,10NF,16V"	GRP155R71C103KA01E
96	"C463,C505,C507,C508"	2203-000254	"C-CERAMIC,CHIP;C103K,10NF,16V"	GRP155R71C103KA01E
97	"C509,C603,C637,C638"	2203-000254	"C-CERAMIC,CHIP;C103K,10NF,16V"	GRP155R71C103KA01E
98	C642	2203-000254	"C-CERAMIC,CHIP;C103K,10NF,16V"	GRP155R71C103KA01E
99	C812	2203-000254	"C-CERAMIC,CHIP;C103K,10NF,16V"	GRP155R71C103KA01E
100	C648	2203-000278	"C-CERAMIC,CHIP;C100D,10PF,50V"	GRP1555C1H100JZ01E
101	C708	2203-000311	"C-CERAMIC,CHIP;C121J,120PF,50V"	GRP1555C1H121JD01E
102	C623	2203-000359	"C-CERAMIC,CHIP;C151J,150PF,50V"	GRP1555C1H151JD01E
103	"C605,C610,C613,C614"	2203-000425	"C-CERAMIC,CHIP;C180J,18PF,50V"	GRP1555C1H180JZ01E
104	C626	2203-000425	"C-CERAMIC,CHIP;C180J,18PF,50V"	GRP1555C1H180JZ01E
105	"C506,C602,C606"	2203-000438	"C-CERAMIC,CHIP;C102K,1NF,50V"	GRP155R71H102KA01E
106	"C612,C615,C616,C617"	2203-000438	"C-CERAMIC,CHIP;C102K,1NF,50V"	GRP155R71H102KA01E
107	"C618,C625,C633,C634"	2203-000438	"C-CERAMIC,CHIP;C102K,1NF,50V"	GRP155R71H102KA01E
108	"C635,C644,C707,C711"	2203-000438	"C-CERAMIC,CHIP;C102K,1NF,50V"	GRP155R71H102KA01E
109	C716	2203-000438	"C-CERAMIC,CHIP;C102K,1NF,50V"	GRP155R71H102KA01E
110	C646	2203-000609	"C-CERAMIC,CHIP;C223K,22NF,50V"	GRM216R71H223KA01D
111	"C122,C130,C131,C132"	2203-000679	"C-CERAMIC,CHIP;C270J,27PF,50V"	GRP1555C1H270JZ01E
112	"C201,C202,C203,C204"	2203-000679	"C-CERAMIC,CHIP;C270J,27PF,50V"	GRP1555C1H270JZ01E
113	"C205,C206,C207,C208"	2203-000679	"C-CERAMIC,CHIP;C270J,27PF,50V"	GRP1555C1H270JZ01E
114	"C209,C210,C211,C212"	2203-000679	"C-CERAMIC,CHIP;C270J,27PF,50V"	GRP1555C1H270JZ01E
115	"C213,C214,C217,C218"	2203-000679	"C-CERAMIC,CHIP;C270J,27PF,50V"	GRP1555C1H270JZ01E
116	C403	2203-000679	"C-CERAMIC,CHIP;C270J,27PF,50V"	GRP1555C1H270JZ01E
117	"C430,C431,C432,C433"	2203-000679	"C-CERAMIC,CHIP;C270J,27PF,50V"	GRP1555C1H270JZ01E
118	"C434,C436,C444,C445"	2203-000679	"C-CERAMIC,CHIP;C270J,27PF,50V"	GRP1555C1H270JZ01E
119	"C449,C452,C453"	2203-000679	"C-CERAMIC,CHIP;C270J,27PF,50V"	GRP1555C1H270JZ01E
120	"C454,C601,C631,C636"	2203-000679	"C-CERAMIC,CHIP;C270J,27PF,50V"	GRP1555C1H270JZ01E
121	"C649,C720,C721"	2203-000679	"C-CERAMIC,CHIP;C270J,27PF,50V"	GRP1555C1H270JZ01E
122	C808	2203-000679	"C-CERAMIC,CHIP;C270J,27PF,50V"	GRP1555C1H270JZ01E
123	"C815,C817"	2203-000679	"C-CERAMIC,CHIP;C270J,27PF,50V"	GRP1555C1H270JZ01E
124	"C412,C413,C414,C416"	2203-000812	"C-CERAMIC,CHIP;C330J,33PF,50V"	GRP1555C1H330JZ01E
125	"C417,C422,C423,C424"	2203-000812	"C-CERAMIC,CHIP;C330J,33PF,50V"	GRP1555C1H330JZ01E
126	"C425,C429,C447,C448"	2203-000812	"C-CERAMIC,CHIP;C330J,33PF,50V"	GRP1555C1H330JZ01E
127	"C640,C641"	2203-000812	"C-CERAMIC,CHIP;C330J,33PF,50V"	GRP1555C1H330JZ01E
128	C462	2203-000870	"C-CERAMIC,CHIP;C030C,3PF,50V"	GRP1555C1H3R0CZ01E
129	C105	2203-000940	"C-CERAMIC,CHIP;C471K,470PF,50V"	GRP155R71H471KD01E

NO	SER CODE	Reference	Part Description	Vendor Part No.
130	"C629,C630"	2203-000995	"C-CERAMIC,CHIP;C470J,47PF,50V"	GRP1555C1H470JZ01E
131	"C705,C706,C710,C712"	2203-000995	"C-CERAMIC,CHIP;C470J,47PF,50V"	GRP1555C1H470JZ01E
132	"C715,C717,C718"	2203-000995	"C-CERAMIC,CHIP;C470J,47PF,50V"	GRP1555C1H470JZ01E
133	C739	2203-001124	"C-CERAMIC,CHIP;C681K,680PF,50V"	GRP155R71H681KD01E
134	C709	2203-001239	"C-CERAMIC,CHIP;C820J,82PF,50V"	GRP1555C1H820JD01E
135	C650	2203-001385	"C-CERAMIC,CHIP;C1R5C,1.5PF,50V"	GRP1555C1H1R5CZ01E
136	C801	2203-002443	"C-CERAMIC,CHIP;C331K,330PF,50V"	CL05B331KBNC
137	"C504,C510"	2203-002525	"C-CERAMIC,CHIP;C561K,560PF,50V"	GRP155R71H561KD01E
138	C643	2203-002687	"C-CERAMIC,CHIP;C122K,1.2NF,50V"	CL05B122KBNC
139	"C607,C611"	2203-003054	"C-CERAMIC,CHIP;C090C,9PF,50V"	GRP1555C1H9R0DZ01E
140	C719	2203-005053	"C-CERAMIC,CHIP;C3R9C,3.9PF,50V"	CL05C3R9CBNC
141	C621	2203-005054	"C-CERAMIC,CHIP;C4R7C,4.7PF,50V"	GRP1555C1H4R7CZ01E
142	C619	2203-005056	"C-CERAMIC,CHIP;C6R8C,6.8PF,50V"	GRP1555C1H6R8CZ01E
143	"C428,C701"	2203-005057	"C-CERAMIC,CHIP;C8R2C,8.2PF,50V"	GRP1555C1H8R2CZ01E
144	"C118,C119,C120"	2203-005061	"C-CERAMIC,CHIP;C104Z,100NF,16V"	CL05F104ZONC
145	"C129,C215,C230,C302"	2203-005061	"C-CERAMIC,CHIP;C104Z,100NF,16V"	CL05F104ZONC
146	C319	2203-005061	"C-CERAMIC,CHIP;C104Z,100NF,16V"	CL05F104ZONC
147	"C426,C500,C501,C502"	2203-005061	"C-CERAMIC,CHIP;C104Z,100NF,16V"	CL05F104ZONC
148	"C503,C515,C517,C520"	2203-005061	"C-CERAMIC,CHIP;C104Z,100NF,16V"	CL05F104ZONC
149	"C103,C109,C514,C639"	2203-005065	"C-CERAMIC,CHIP;C105Z,1UF,10V"	GRM188F51A105ZC01D
150	C608	2203-005288	"C-CERAMIC,CHIP;C010B,1PF,50V"	CL05C010BBNC
151	C609	2203-005393	"C-CERAMIC,CHIP;C050B,5PF,50V"	GRP1555C1H5R0BZ01E
152	C450	2203-005444	"C-CERAMIC,CHIP;C030B,3PF,50V"	GRP1555C1H3R0BZ01E
153	"C108,C435,C443"	2203-005480	"C-CERAMIC,CHIP;C333K,33NF,10V"	GRP155R71A333KA01E
154	C446	2203-005481	"C-CERAMIC,CHIP;C473K,47NF,10V"	GRP155R71A473KA01E
155	"C405,C410"	2203-005503	"C-CERAMIC,CHIP;C1801J,180PF,25V"	GRP1556C1E181JD01E
156	"C107,C115,C314"	2203-005664	"C-CERAMIC,CHIP;C475K,4.7UF,6.3V"	JMK212 BJ475KG-T
157	"C516,C518,C521,C814"	2203-005664	"C-CERAMIC,CHIP;C475K,4.7UF,6.3V"	JMK212 BJ475KG-T
158	C645	2301-001232	"C-CERAMIC,CHIP;470PF,50V"	ECHU1H471JX5
159	"C100,C112,C125"	2404-001105	"C-TA,CHIP;10UF/6.3V"	ECST0JZ106R
160	"C110,C111"	2404-001134	"C-TA,CHIP;100UF/6.3V"	595D107X06R3B2T
161	C438	2404-001162	"C-TA,CHIP;F950G476MAAJZTQ2"	F950G476MAAJZTQ2
162	C700	2404-001280	"C-TA,CHIP;220UF/6.3V"	F750J227MUCGZT
163	"L600,L601"	2703-001293	INDUCTOR-SMD;HK1608-82NJ-T	HK1608-82NJ-T
164	L604	2703-001514	INDUCTOR-SMD;0603CS-68NXJBC	0603CS-68NXJBC
165	L606	2703-001685	INDUCTOR-SMD;0603CS-82NXJBC	0603CS-82NXJBC
166	L612	2703-001724	INDUCTOR-SMD;LL1005-FH1N2S	LL1005-FH1N2S
167	L700	2703-001733	INDUCTOR-SMD;LL1005-FH8N2J	LL1005-FH8N2J
168	"L720,L721"	2703-001750	INDUCTOR-SMD;LL1005-FH2N2S	LL1005-FH2N2S
169	L722	2703-001786	INDUCTOR-SMD;LL1005-FH10NJ	LL1005-FH10NJ
170	L705	2703-002170	INDUCTOR-SMD;CIH05T6N8JNC	CIH05T6N8JNC
171	"L605,L704,L707"	2703-002198	INDUCTOR-SMD;CIH05T10NJNC	CIH05T10NJNC
172	L603	2703-002200	INDUCTOR-SMD;CIH05T18NJNC	CIH05T18NJNC

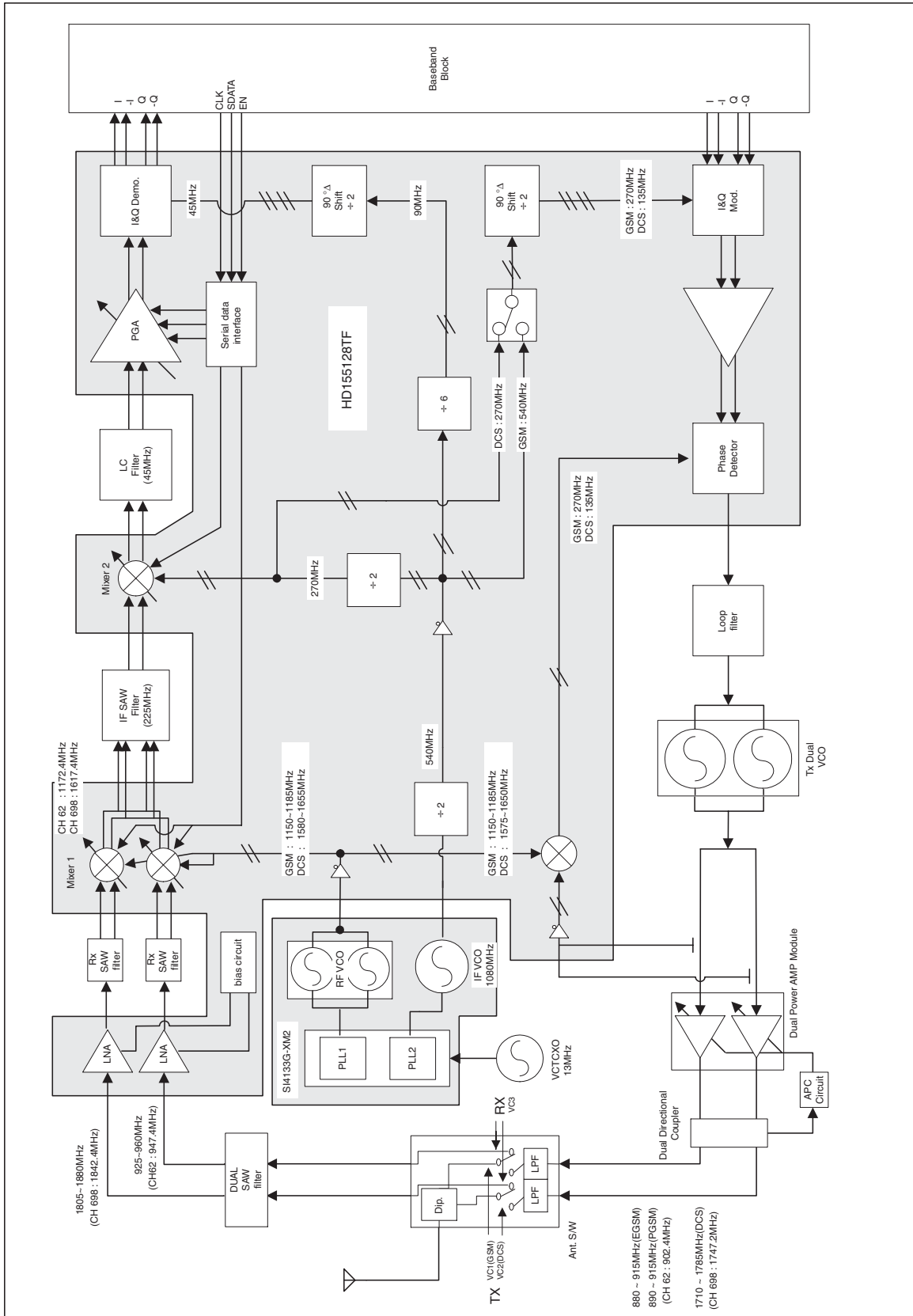
NO	SER CODE	Reference	Part Description	Vendor Part No.
173	"L702,L703"	2703-002201	INDUCTOR-SMD;CIH05T33NJNC	CIH05T33NJNC
174	L209	2703-002206	INDUCTOR-SMD;CIH05T39NJNC	CIH05T39NJNC
175	L611	2703-002207	INDUCTOR-SMD;CIH05T3N3SNC	CIH05T3N3SNC
176	"L610,L706"	2703-002267	INDUCTOR-SMD;CIH05T4N7SNC	CIH05T4N7SNC
177	"L602,L607"	2703-002281	INDUCTOR-SMD;CIH05T5N6SNC	CIH05T5N6SNC
178	X400	2801-004025	COMP-SMD;FC-255	FC-255
179	U602	2806-001273	COMP-SMD;ENFVHZ	ENFVHZ
180	U500	2809-001260	COMP-SMD;VCO-TCXO	TCO-9141B(13MHz)
181	F607	2901-001116	COMP-SMD;NFM39R12C471T1	NFM39R12C471T1
182	F605	2901-001155	COMP-SMD;NFM60R00T221	NFM60R00T221
183	F608	2901-001215	COMP-SMD;NFM21PC104R1E3D	NFM21PC104R1E3D
184	"F601,F602"	2904-001328	COMP-SMD;FAR-F6CS-1G8425-L250	FAR-F6CS-1G8425-L250
185	F604	2904-001348	COMP-SMD;JMK42-0031B	JMK42-0031B
186	U706	2909-001146	COMP-SMD;ES-A5010B	ES-A5010B
187	U708	3705-001255	COMP-SMD;KMS-158	KMS-158
188	CN101	3709-001190	COMP-SMD;C70710M0060972	C70710M0060972
189	CN202	3710-001816	COMP-SMD;1004-0018-319	1004-0018-319
190	CN201	3711-004980	COMP-SMD;connector	AXK6F26335J
191	CN401	3722-001715	COMP-SMD;02-828P0-53BKA	02-828P0-53BKA
192	BAT101	4302-001119	COMP-SMD;MS414 FL26N	MS414 FL26N
193	U700	4709-001267	COMP-SMD;LDC10B200J0897	LDC10B200J0897
194	U702	4709-001268	COMP-SMD;LDC15H200J	LDC15H200J

4. Block Diagrams

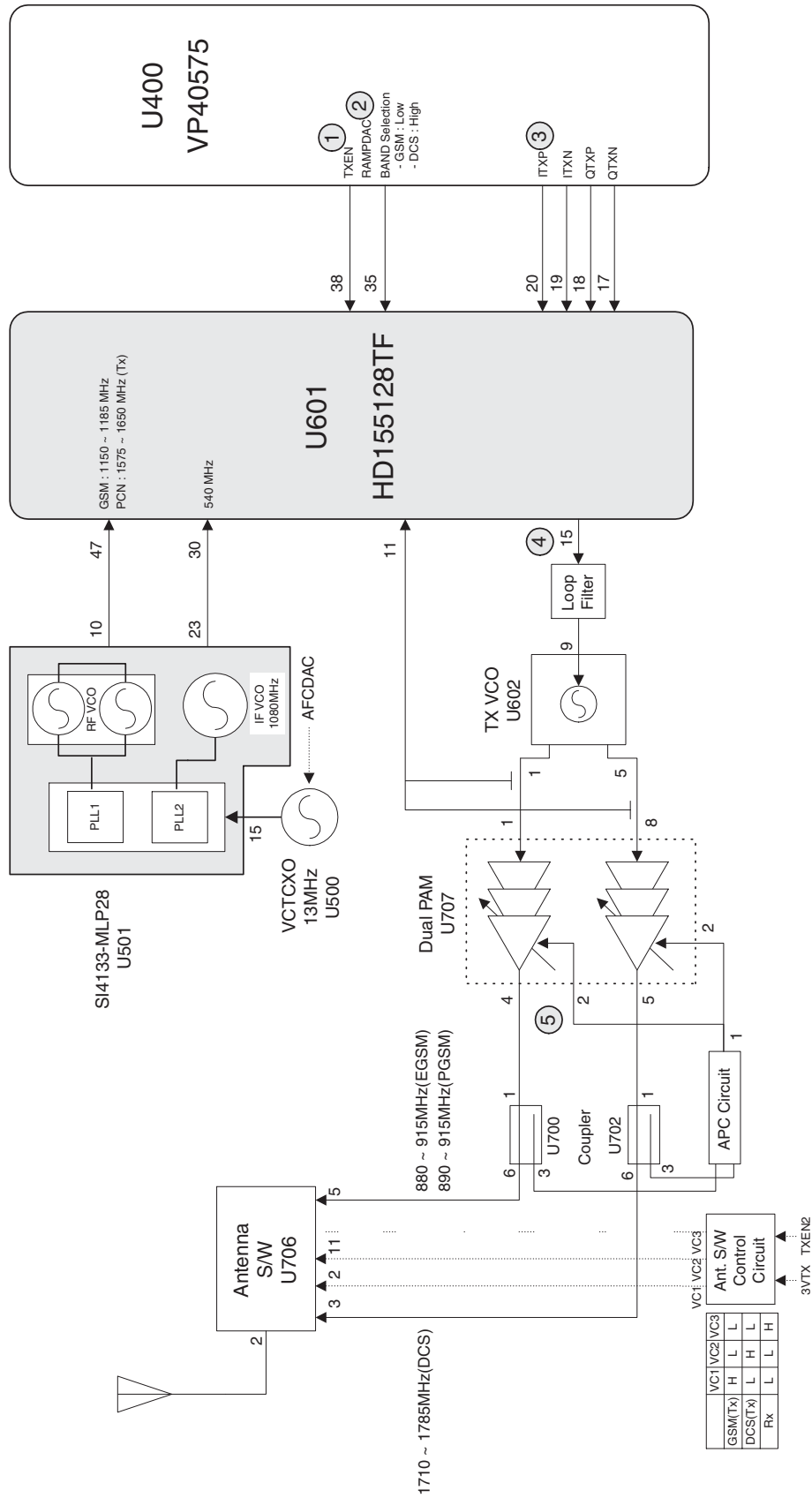
4-1 Main Base Band



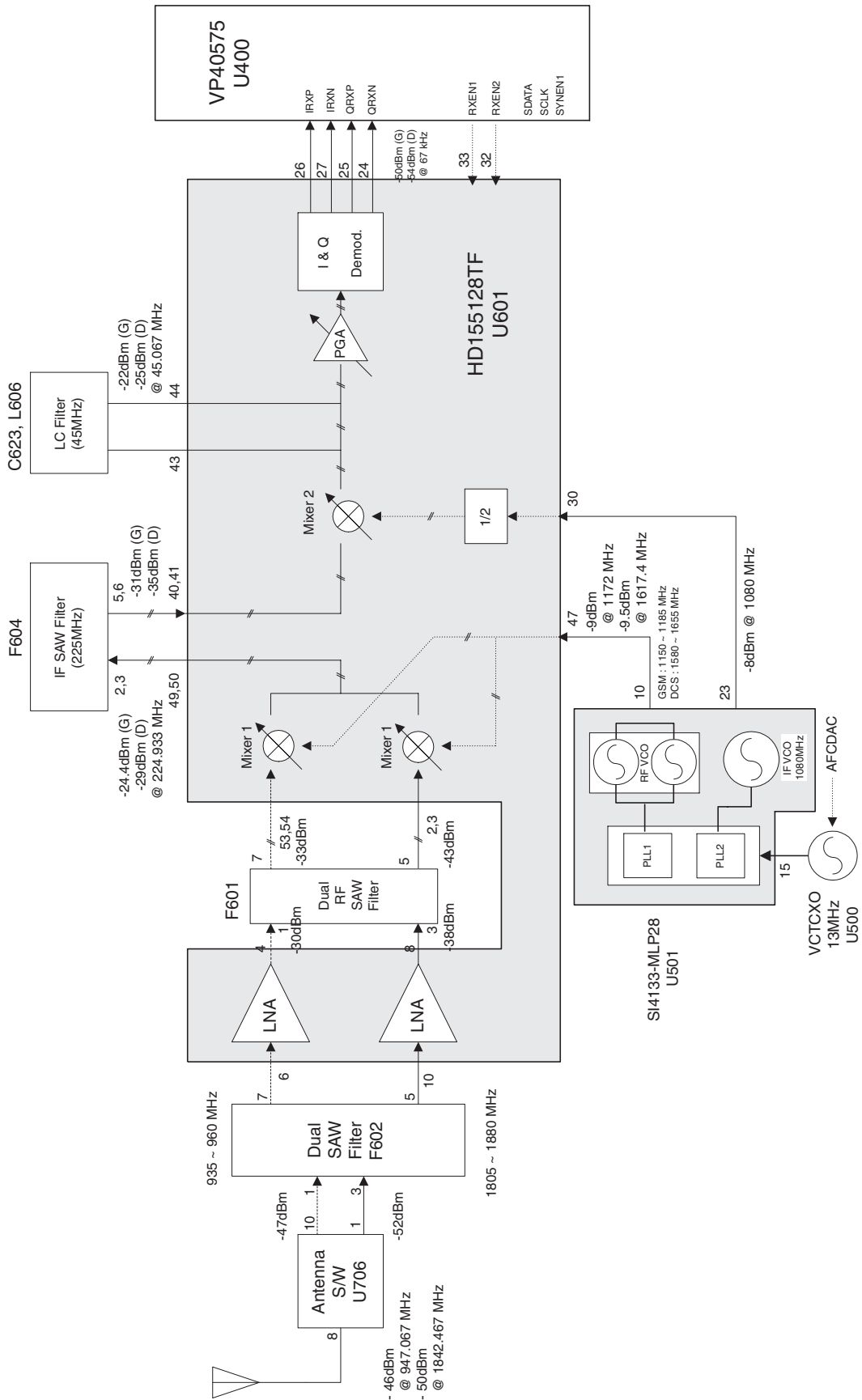
4-2 Main RF



4-2-1 RF Transmit Part

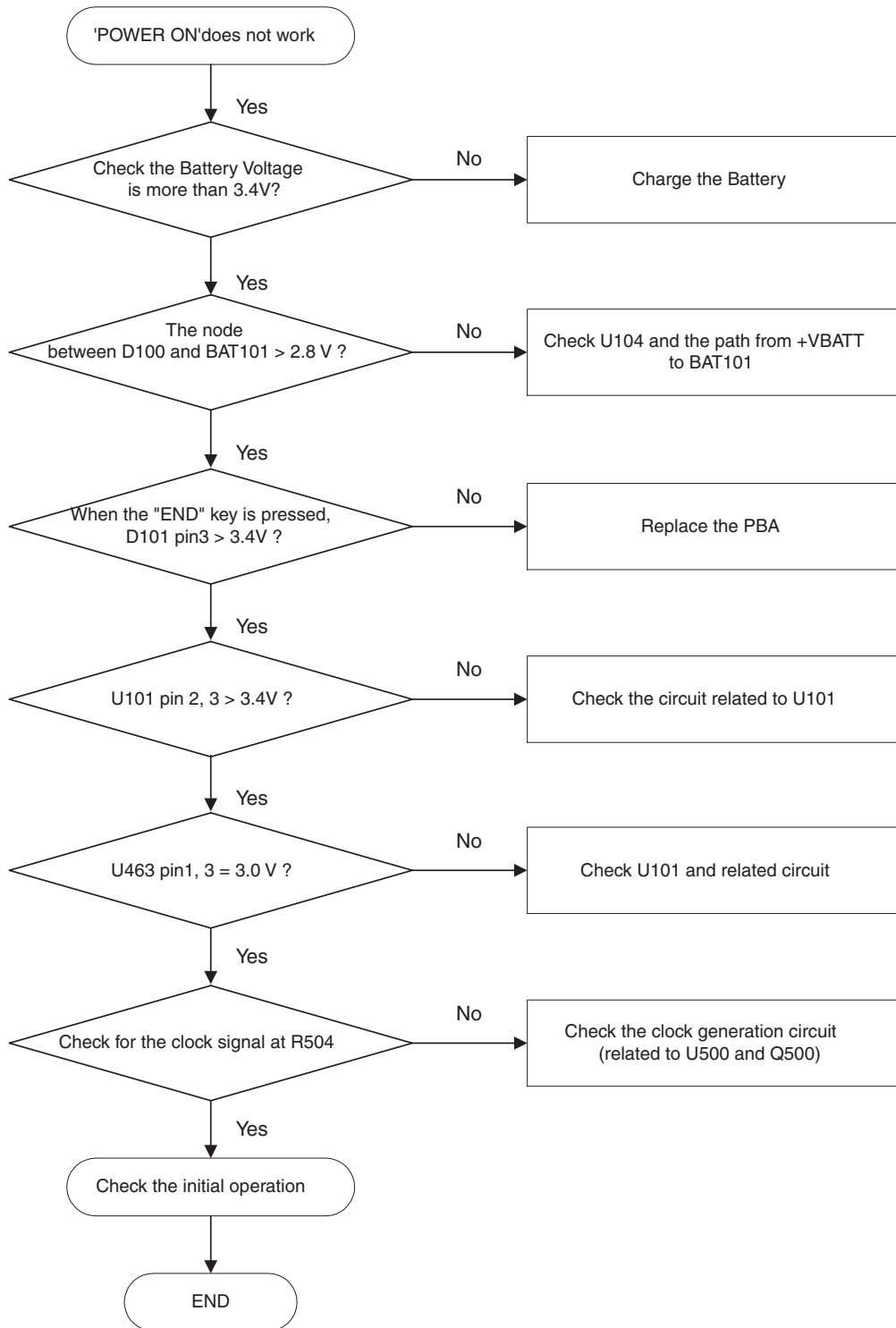


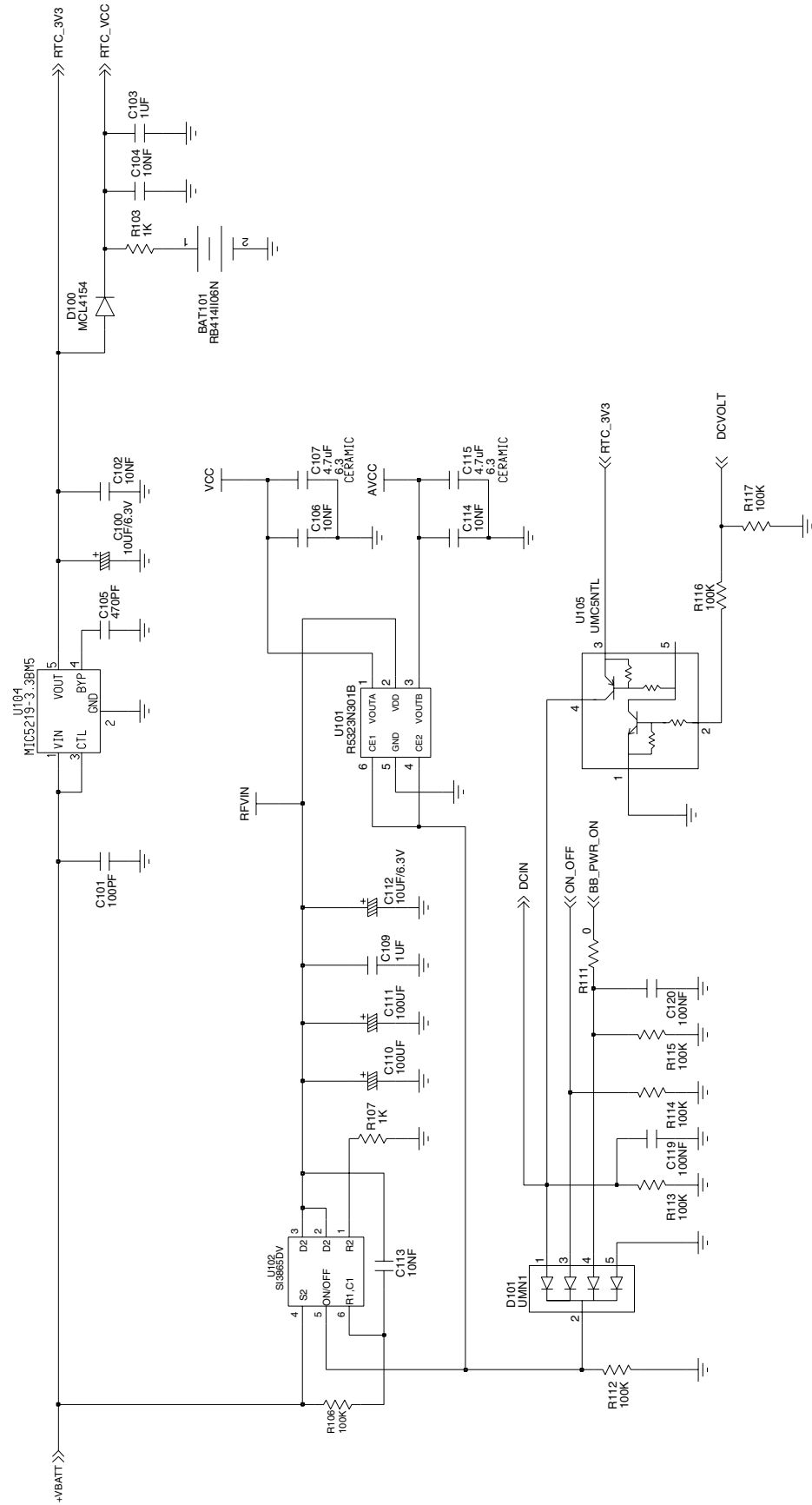
4-2-2 RF Receive Part



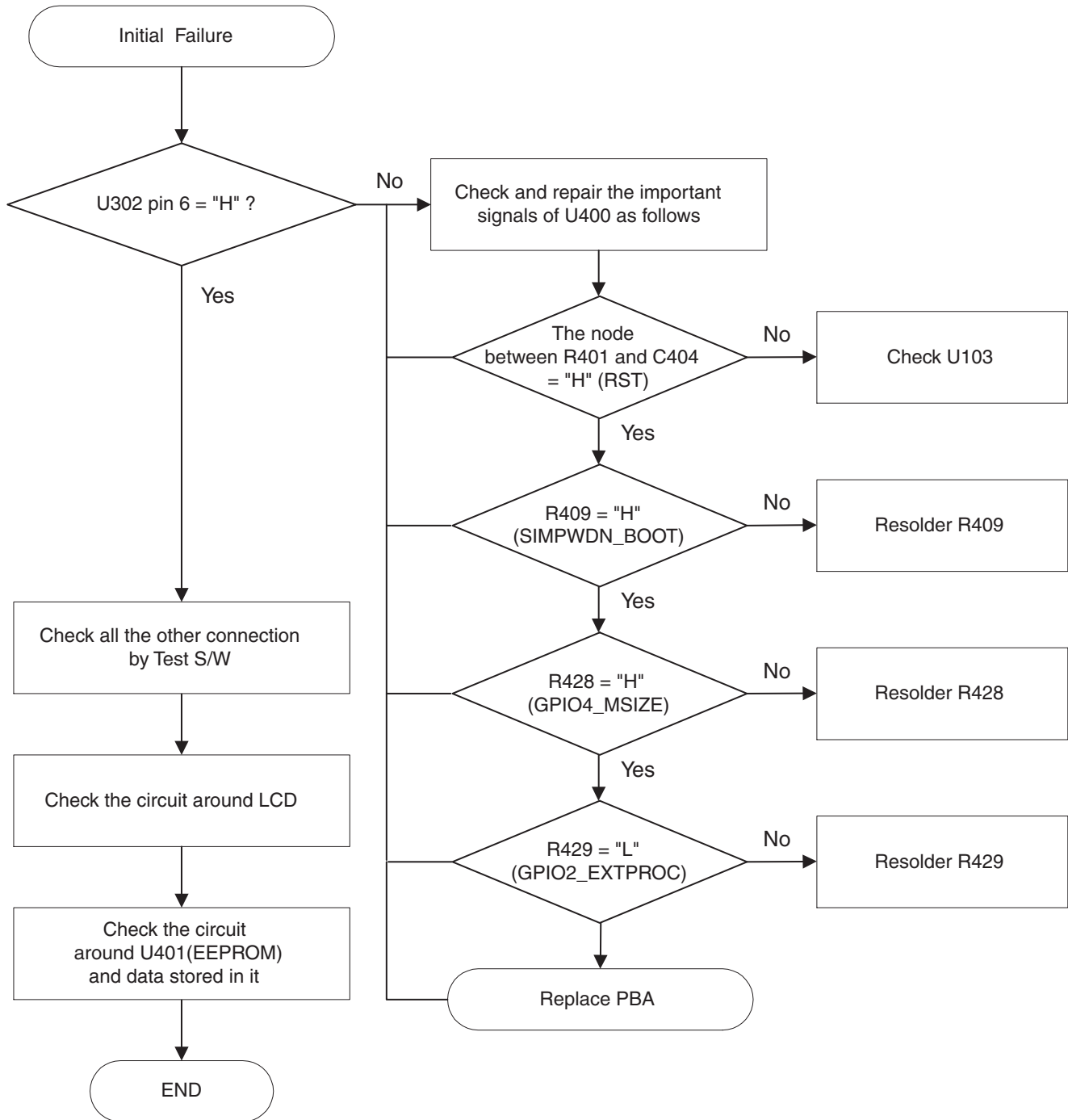
5. Flow Chart of Troubleshooting and Circuit Diagram

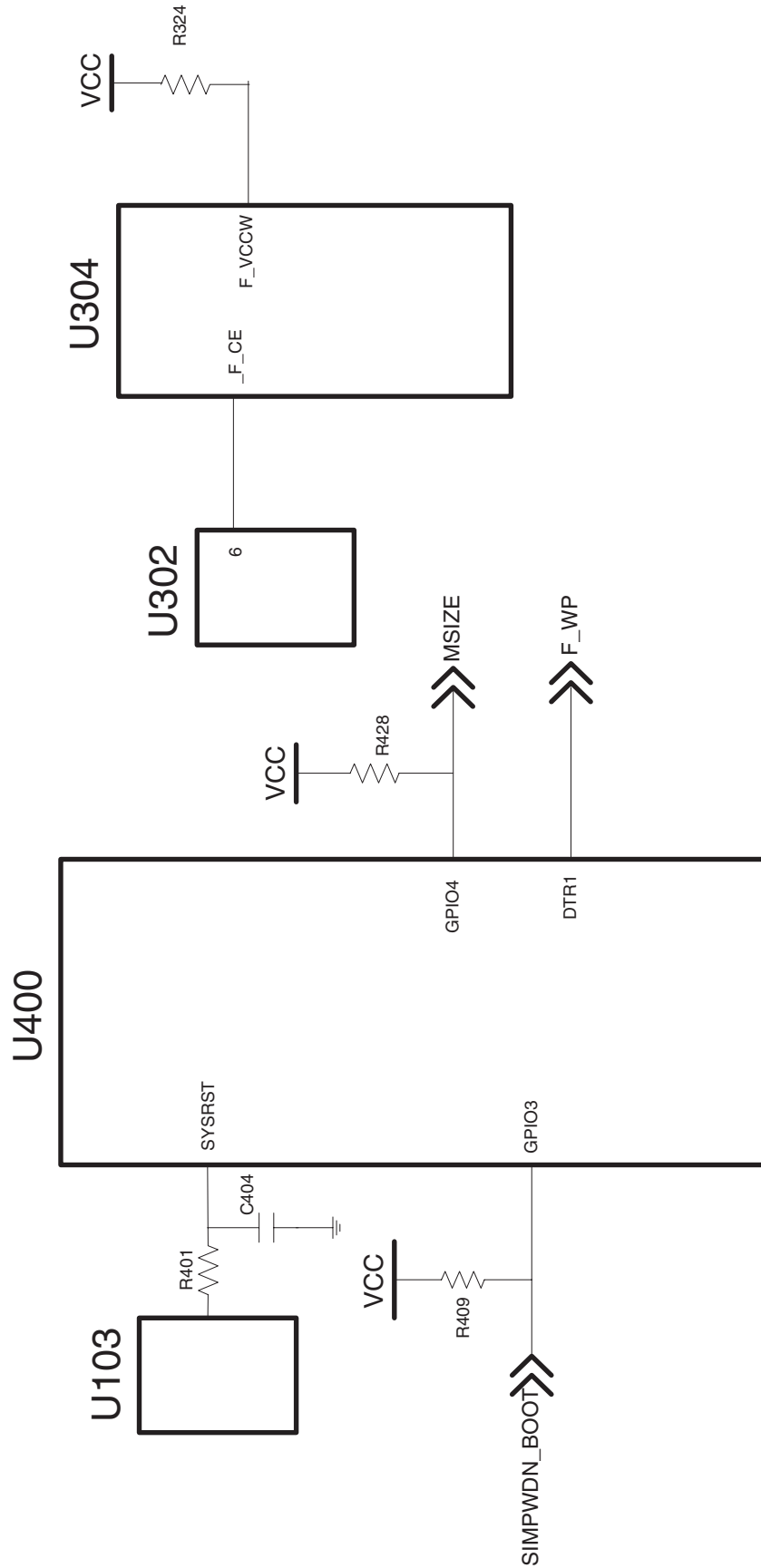
5-1 Power ON



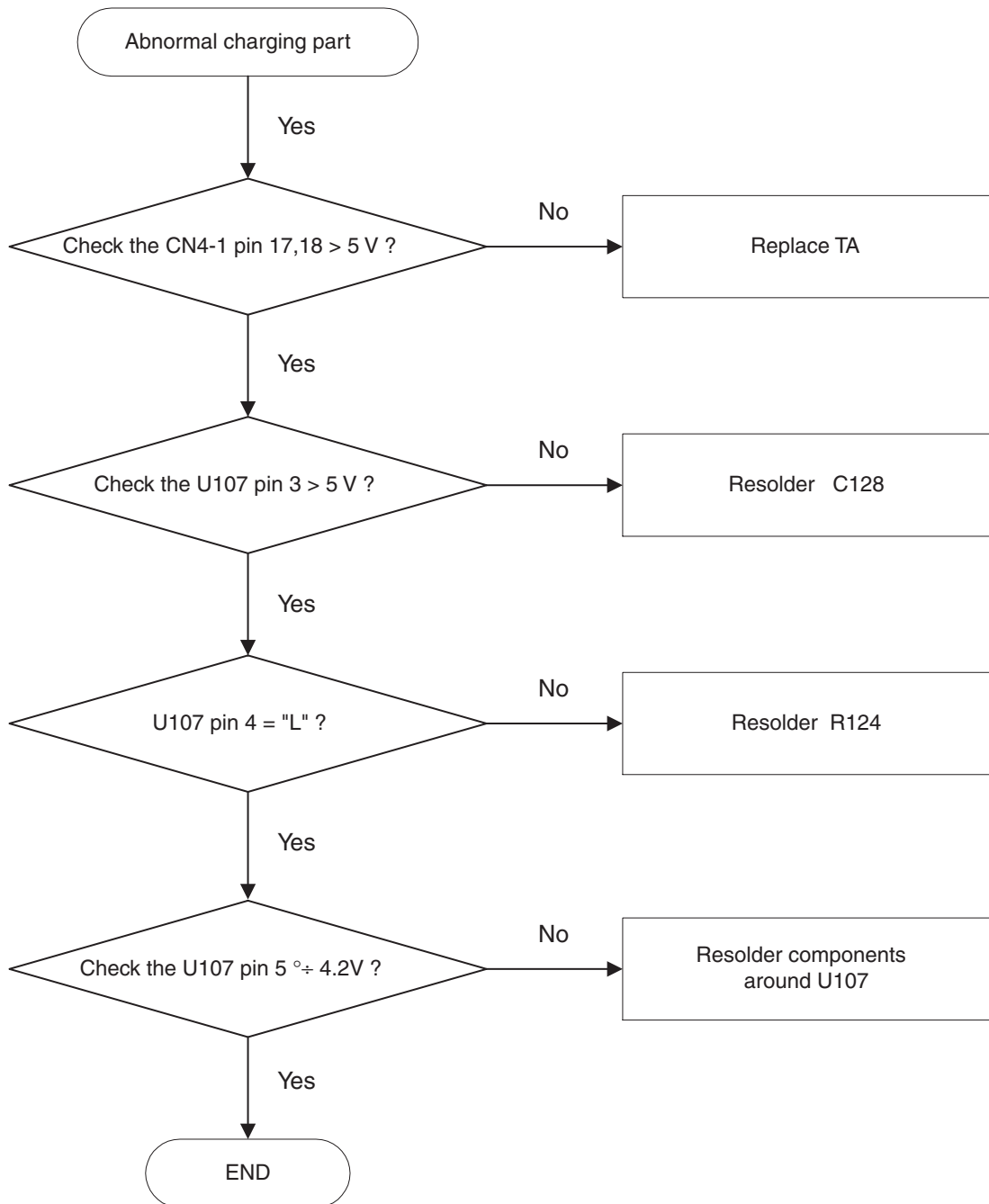


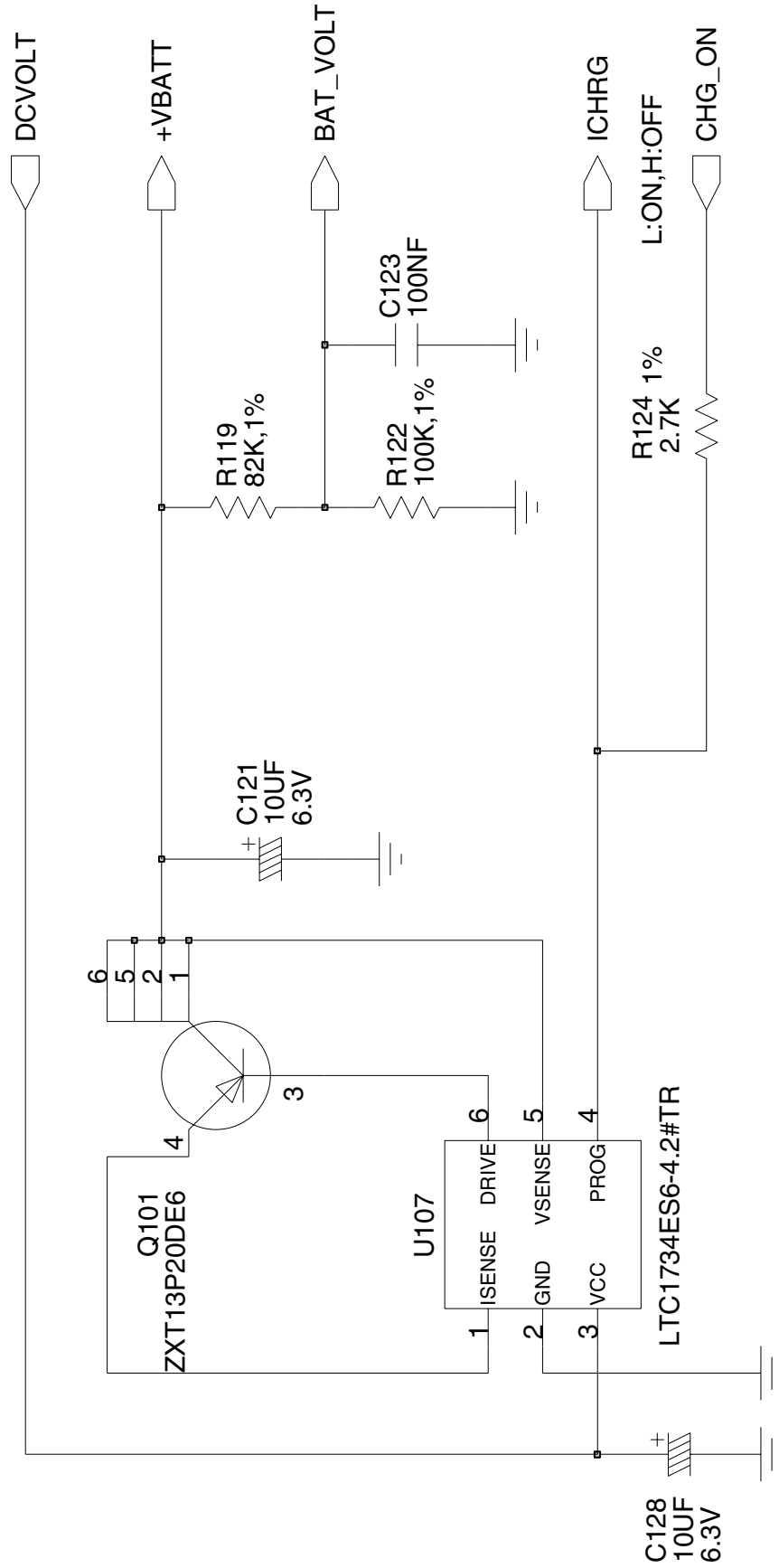
5-2 Initial



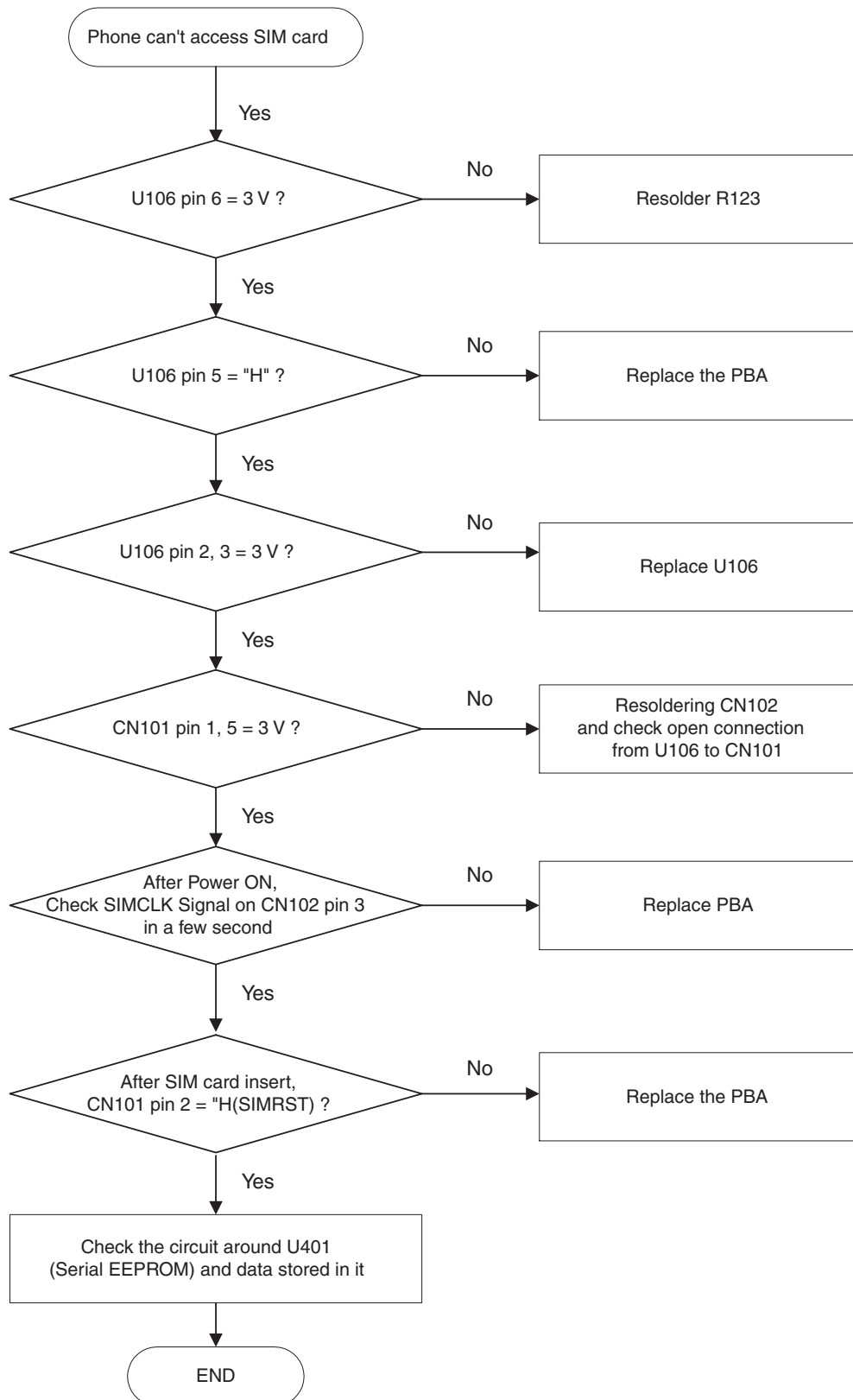


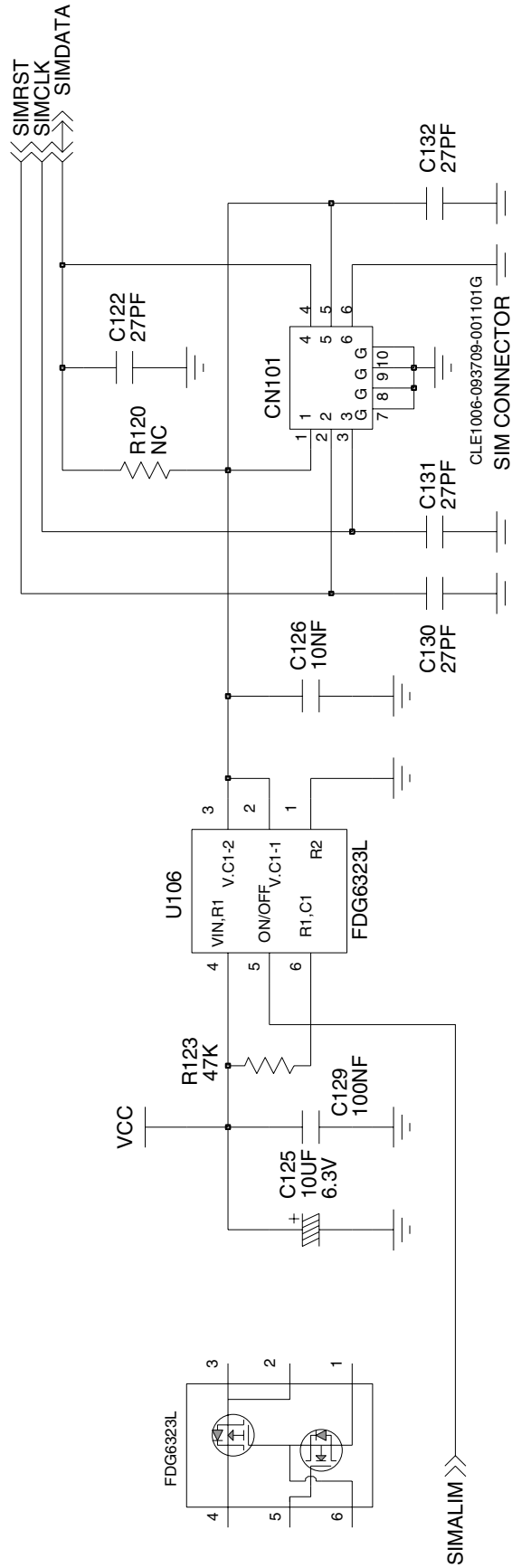
5-3 Charging Part



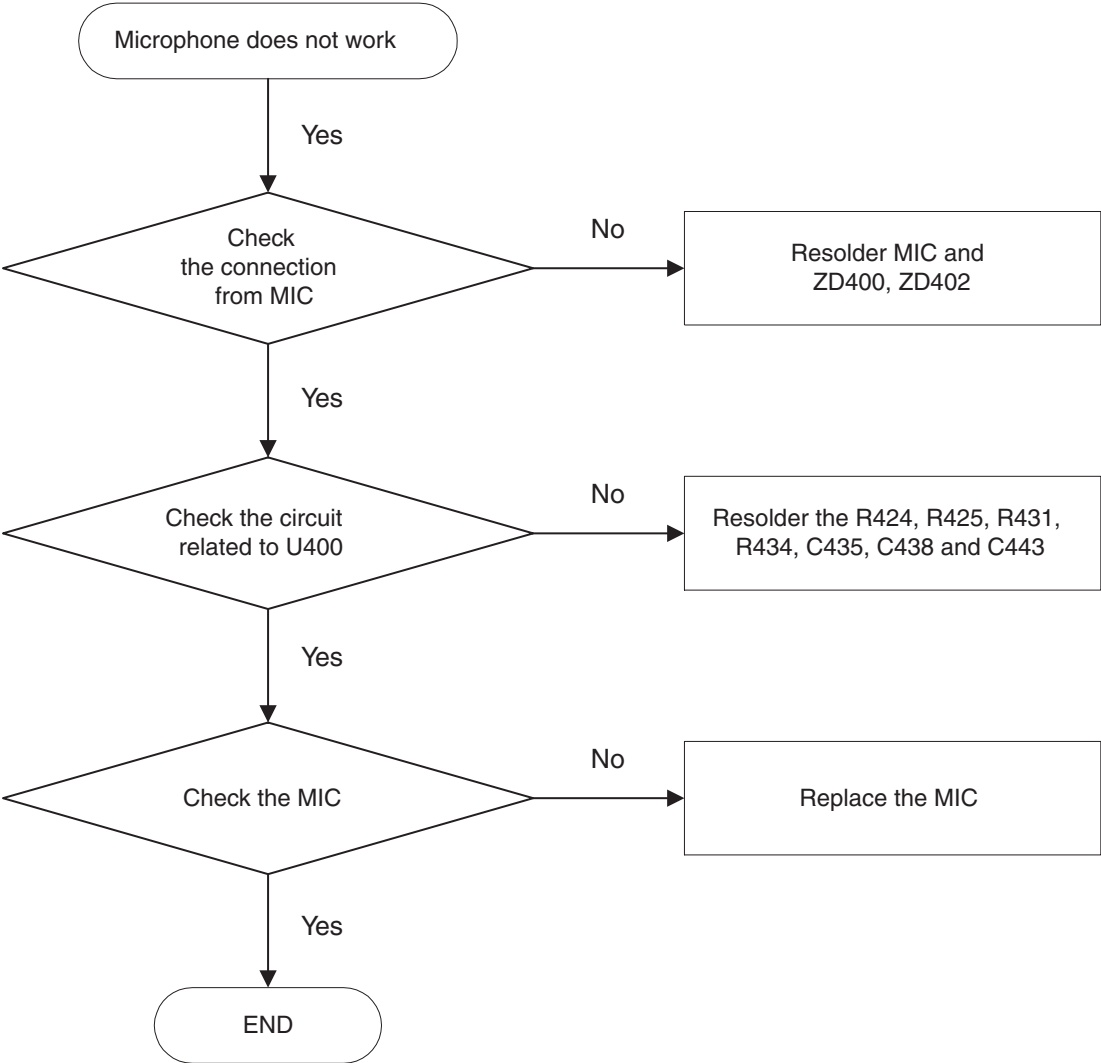


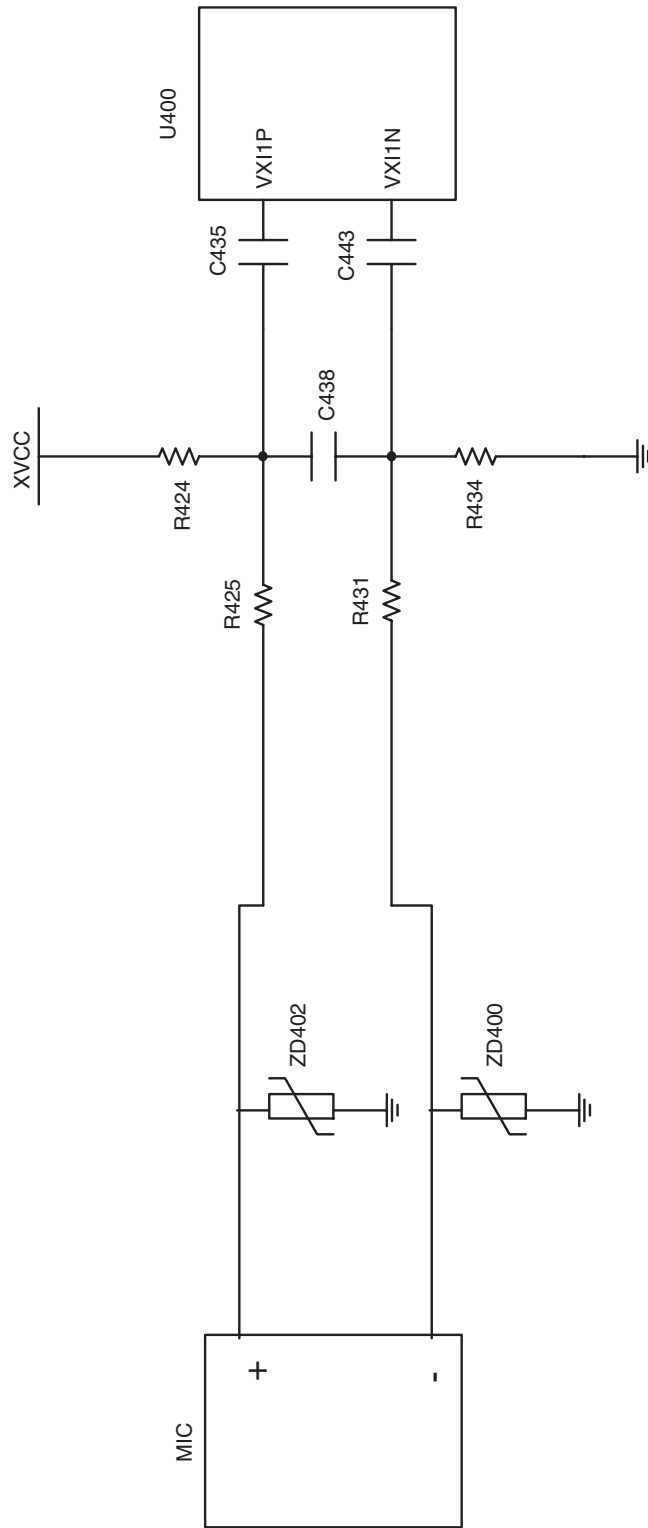
5-4 Sim Part



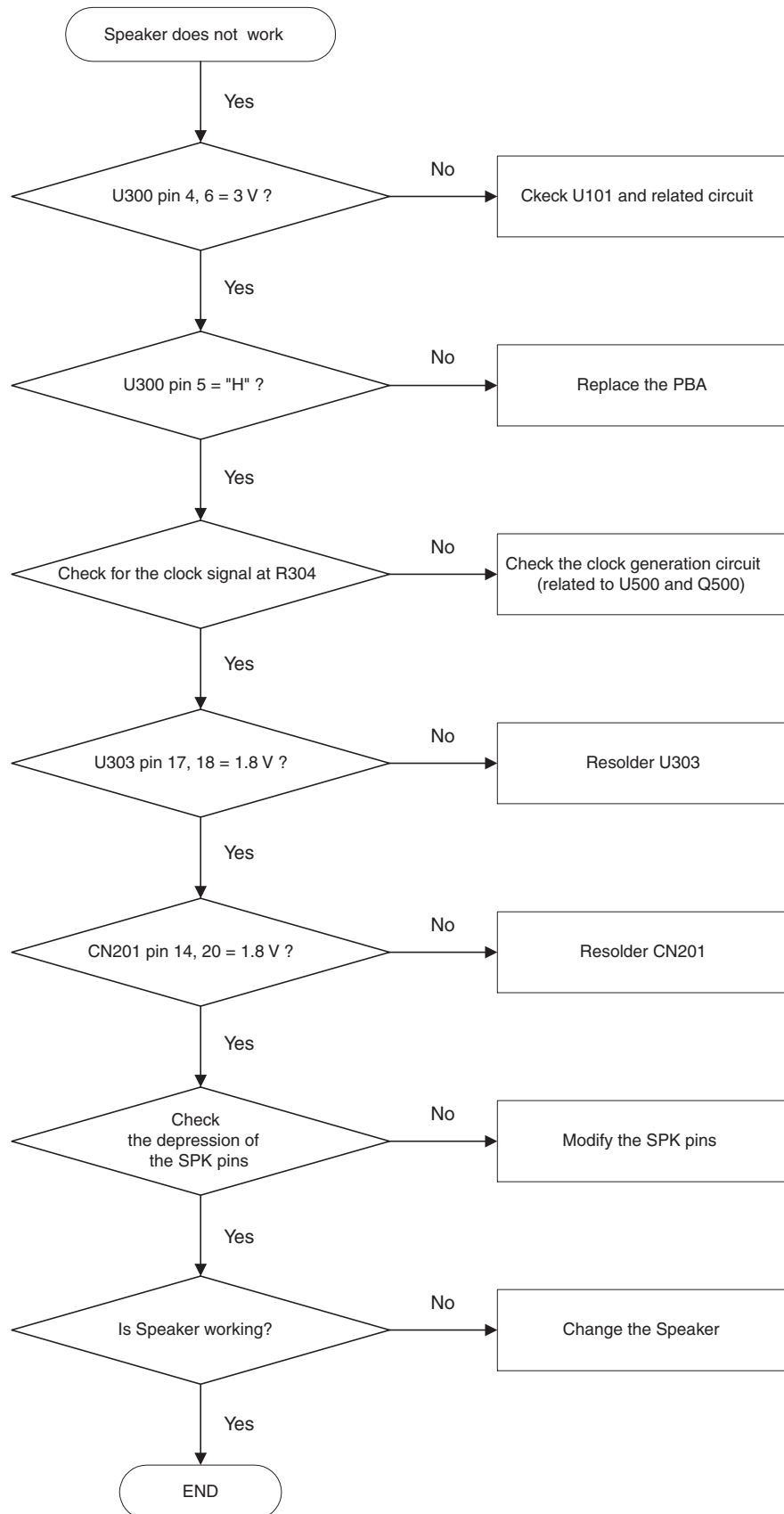


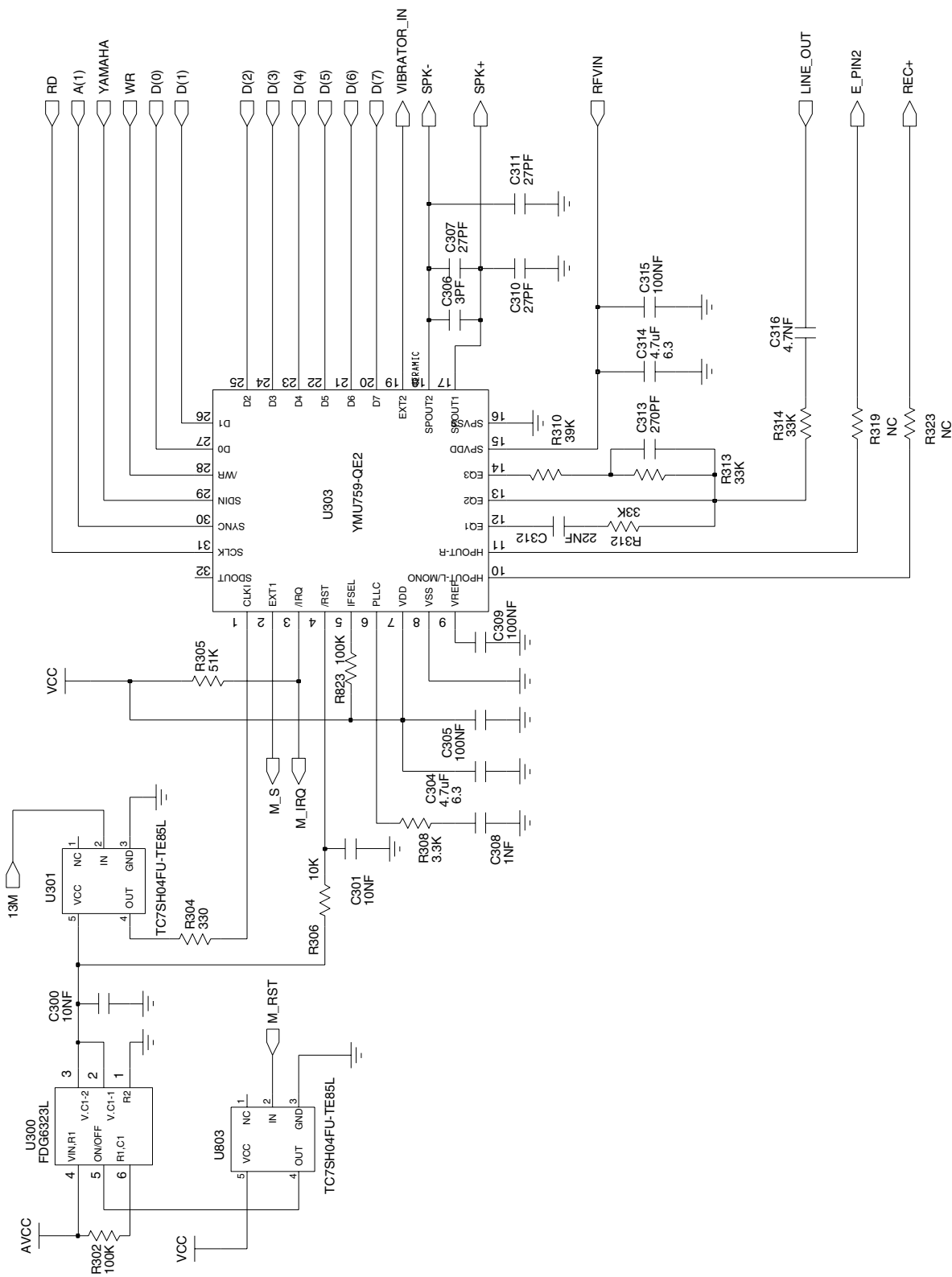
5-5 Microphone Part



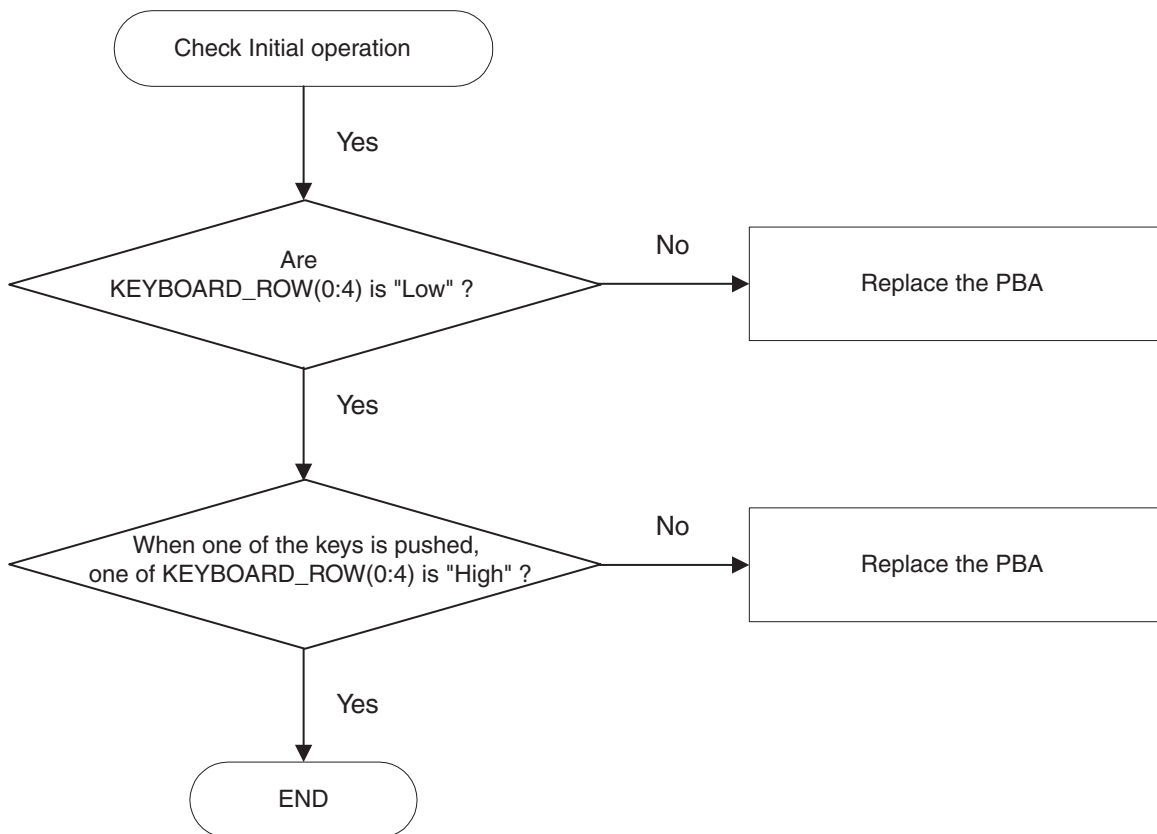


5-6 Speaker Part

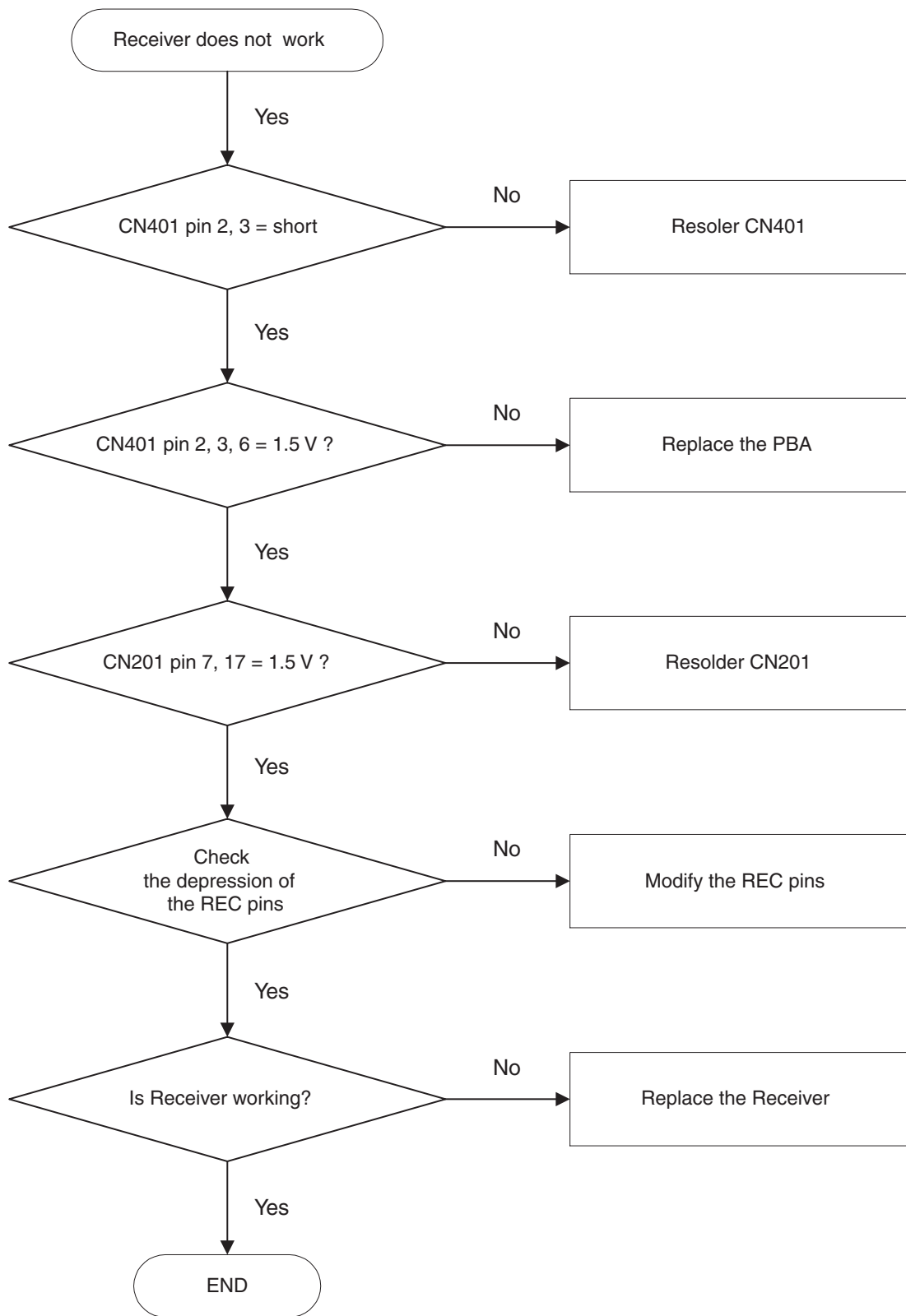


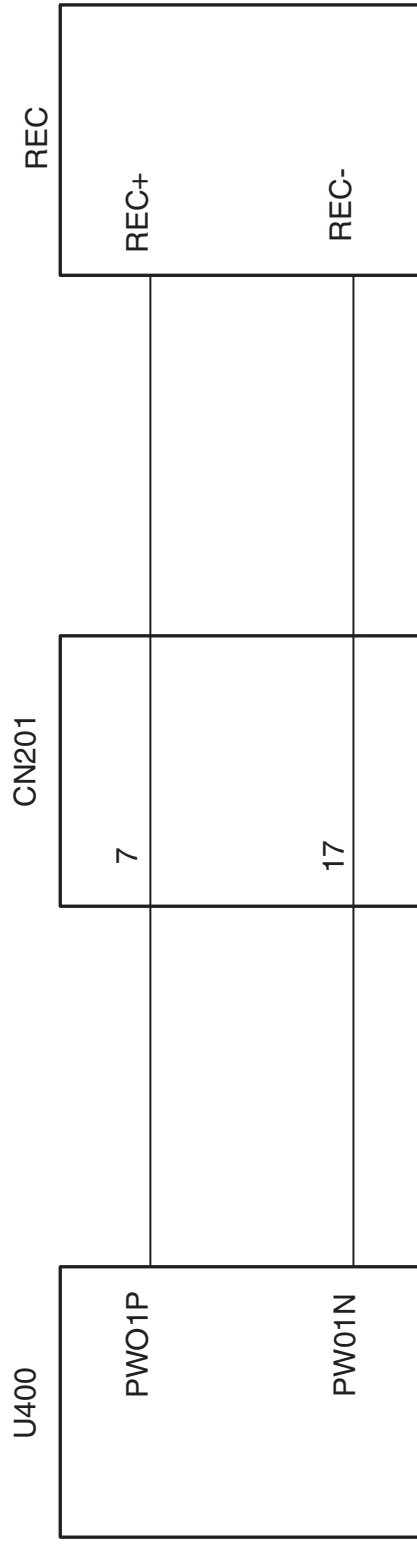


5-7 Key Data Input

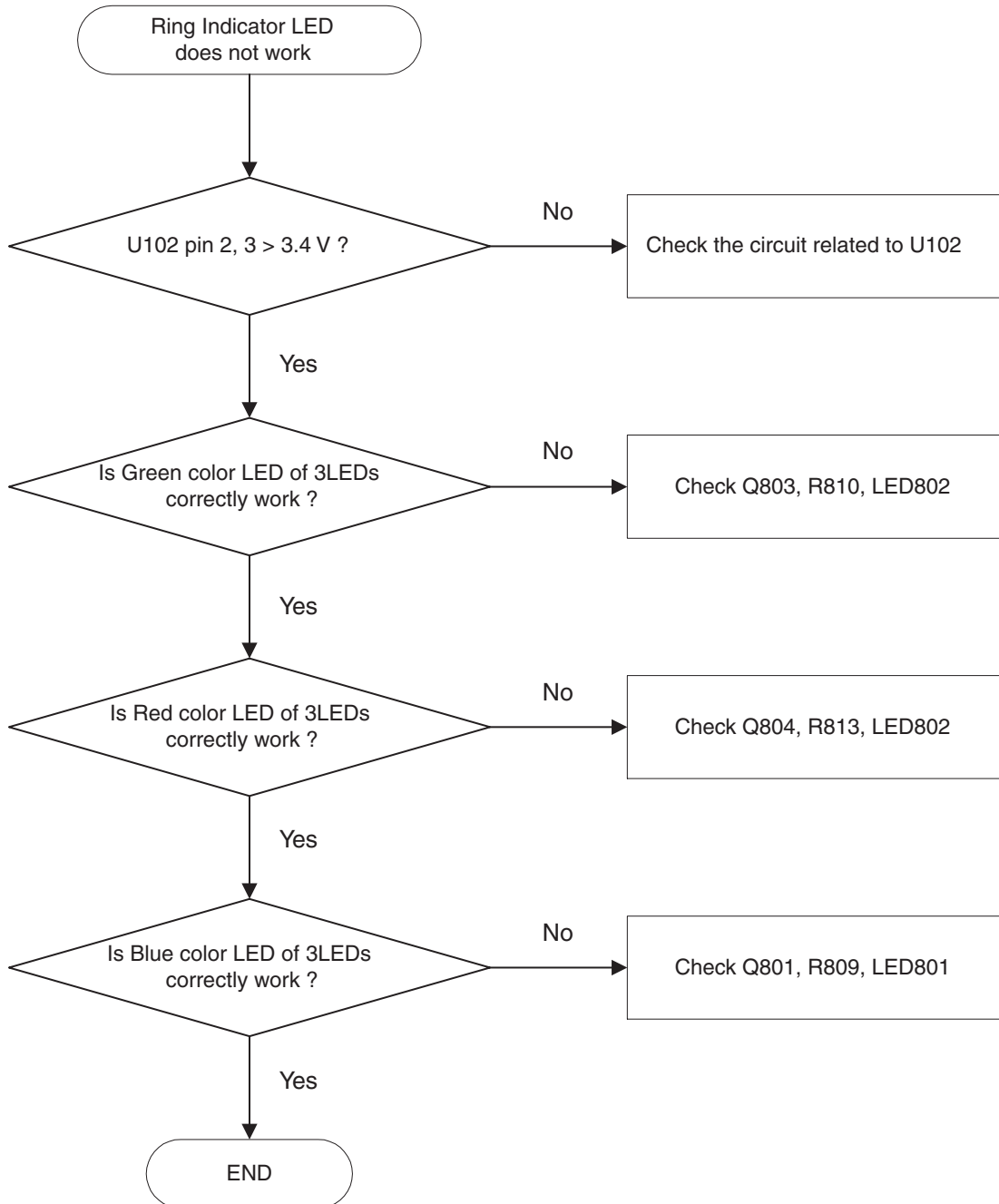


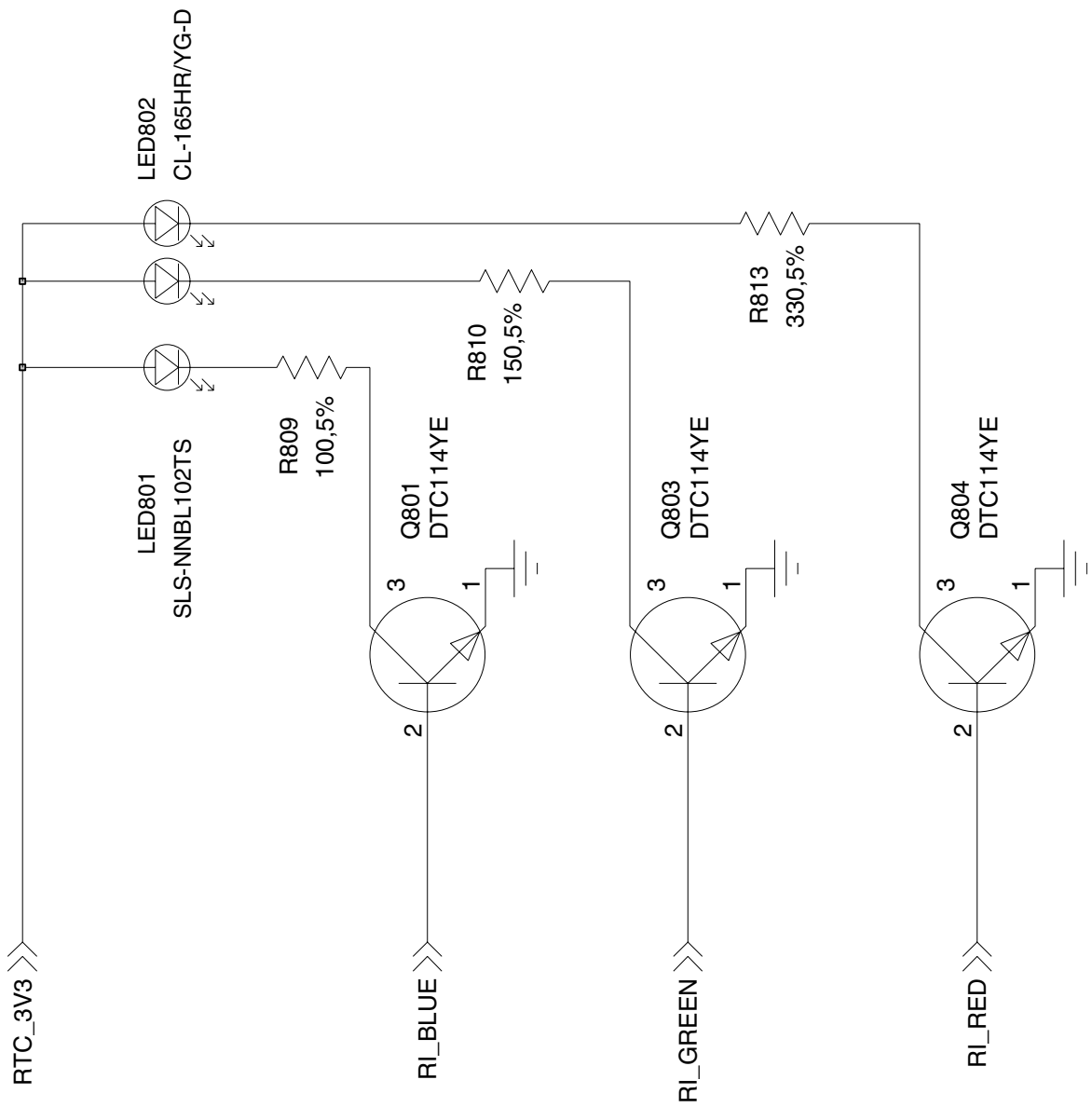
5-8 Receiver Part



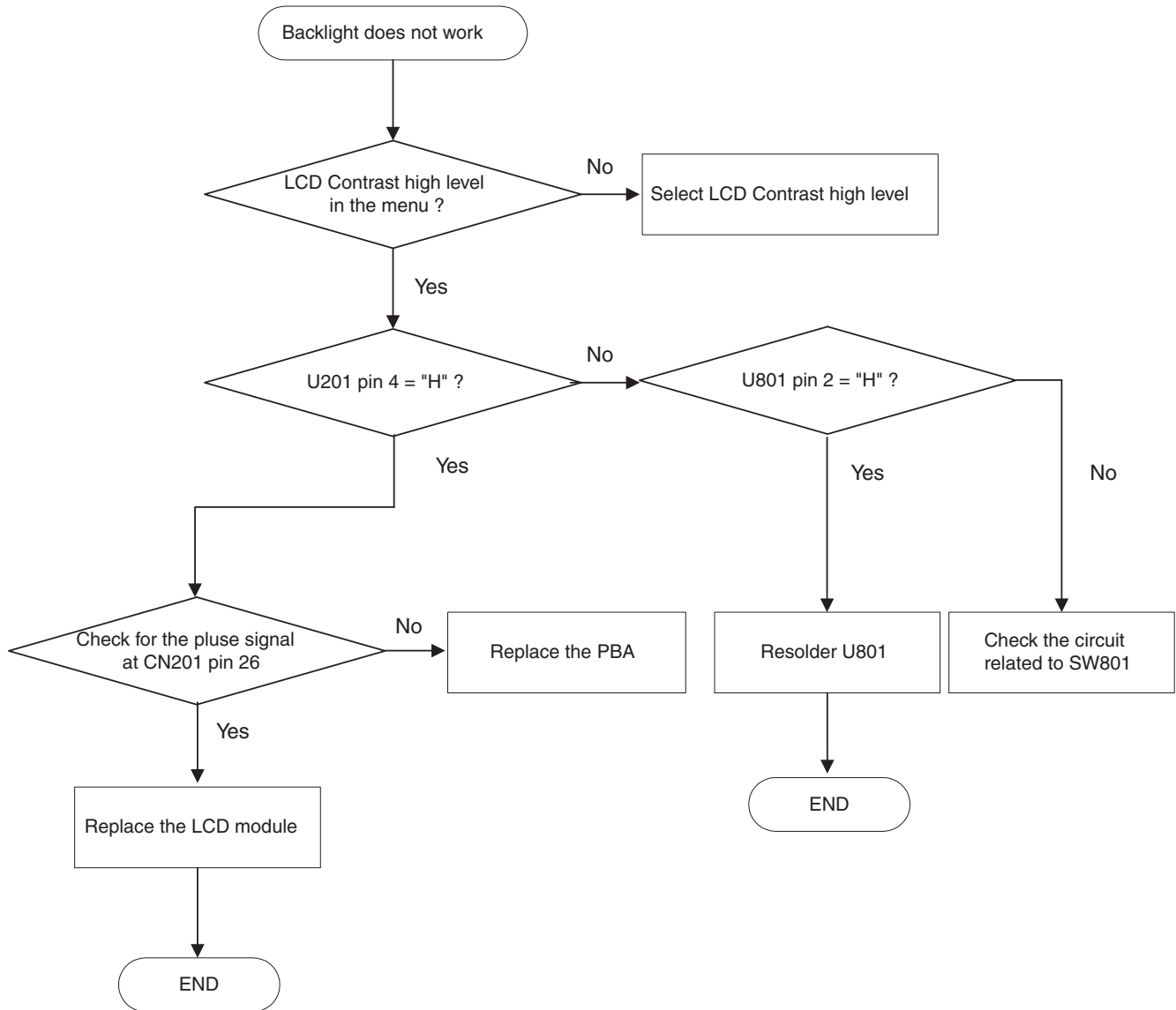


5-9 Ring Indicator

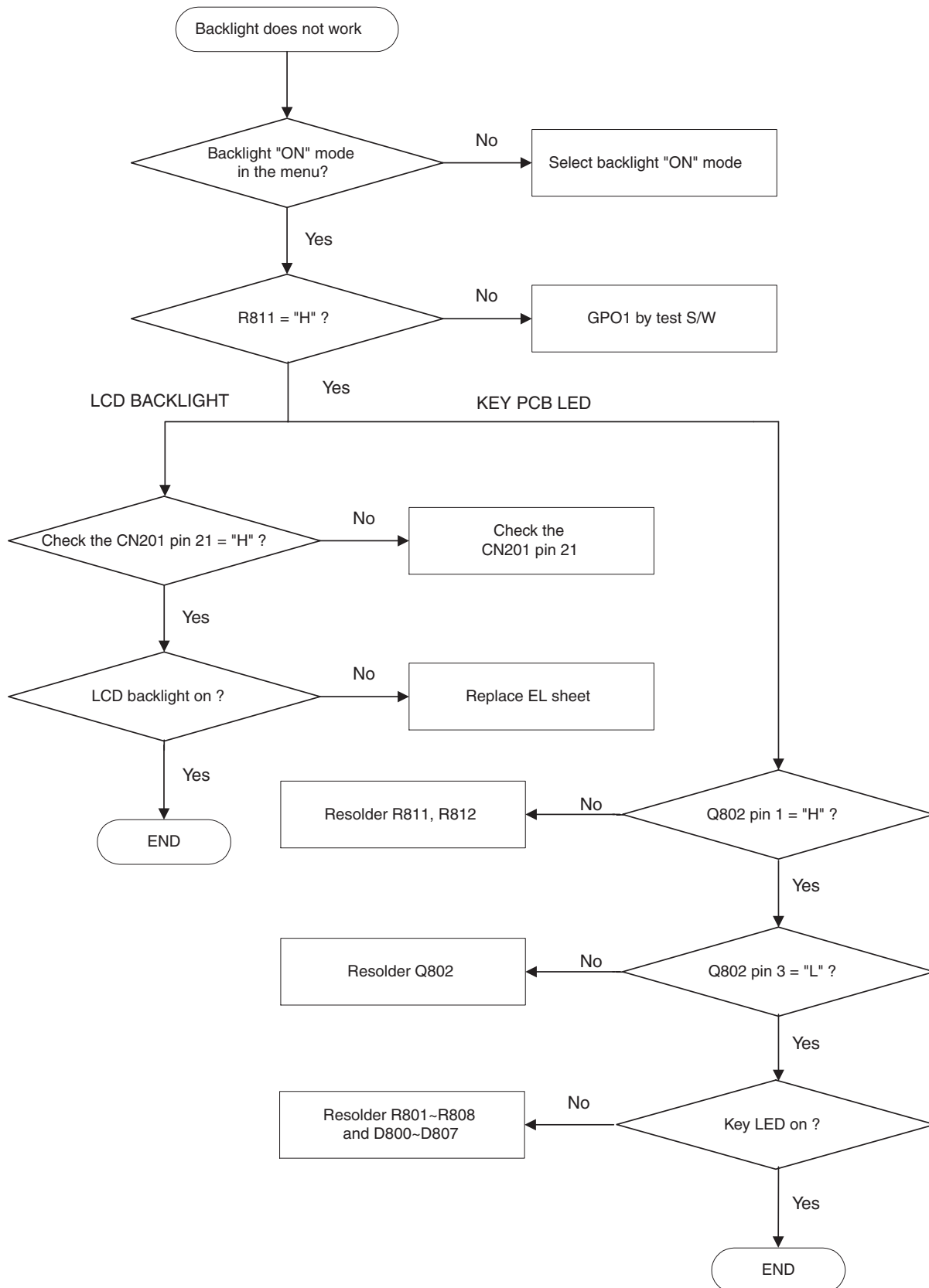




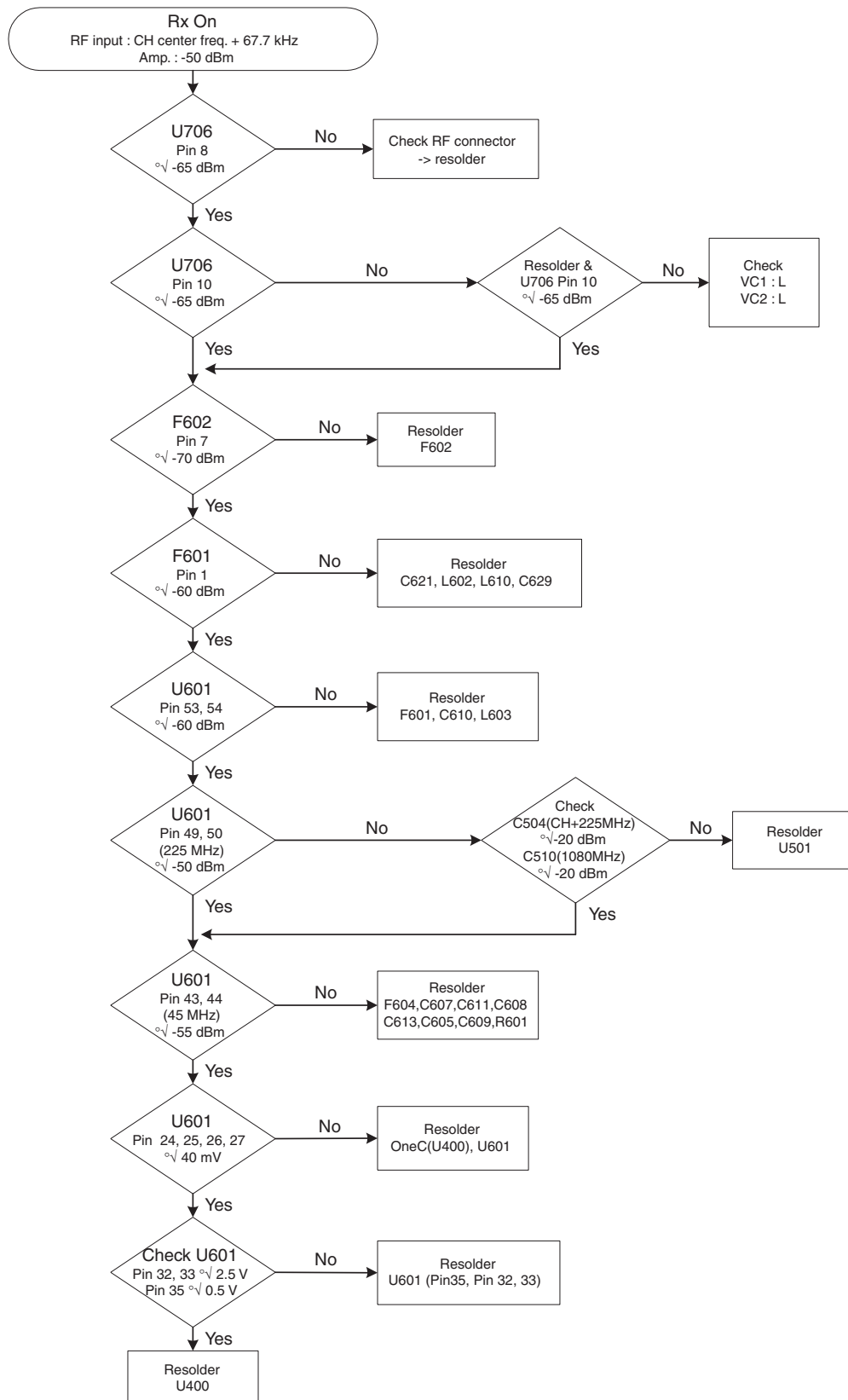
5-10 Back Light (for Color Main LCD)



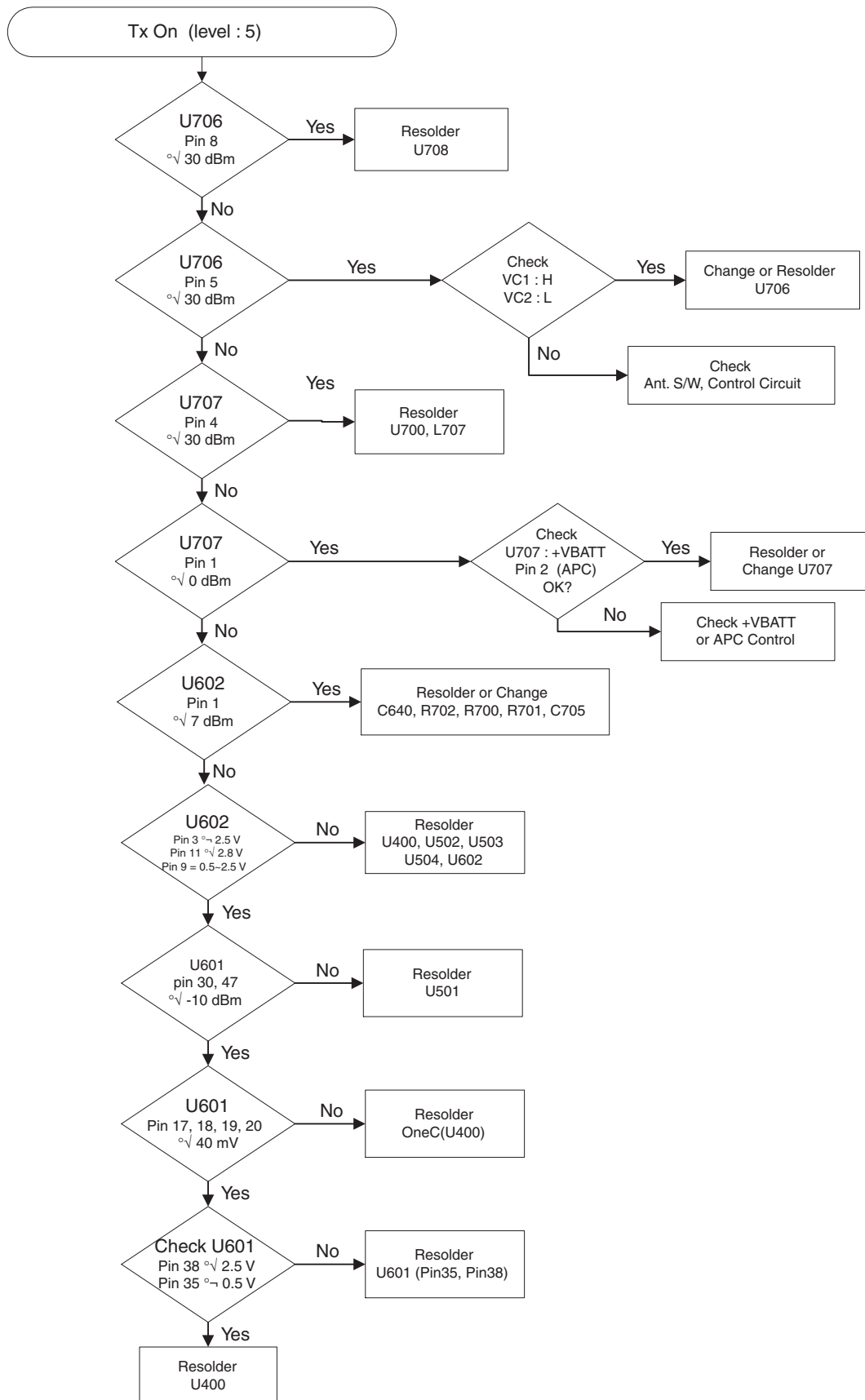
5-11 Back Light (for sub LCD & Key)



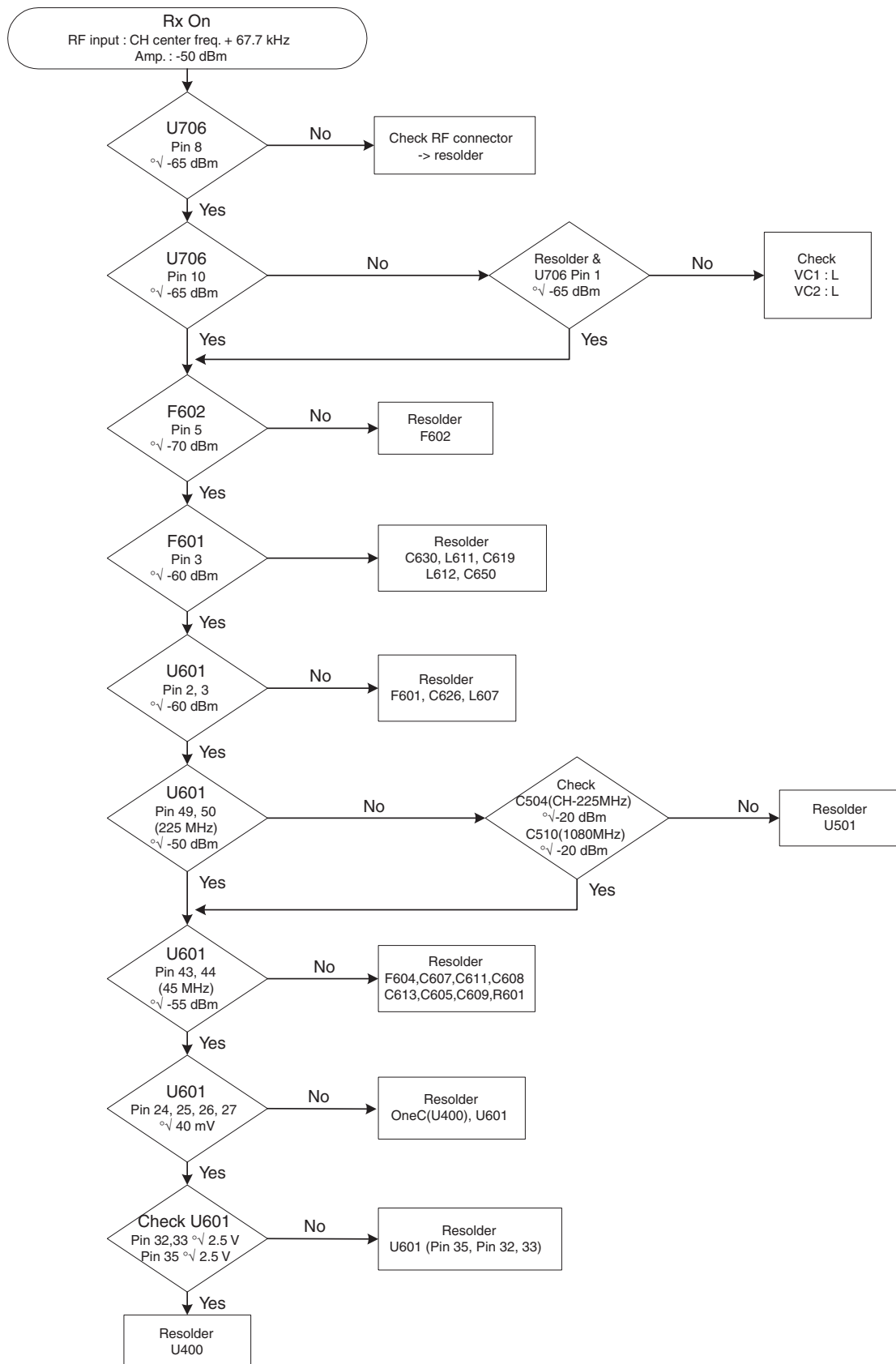
5-12 GSM Receiver



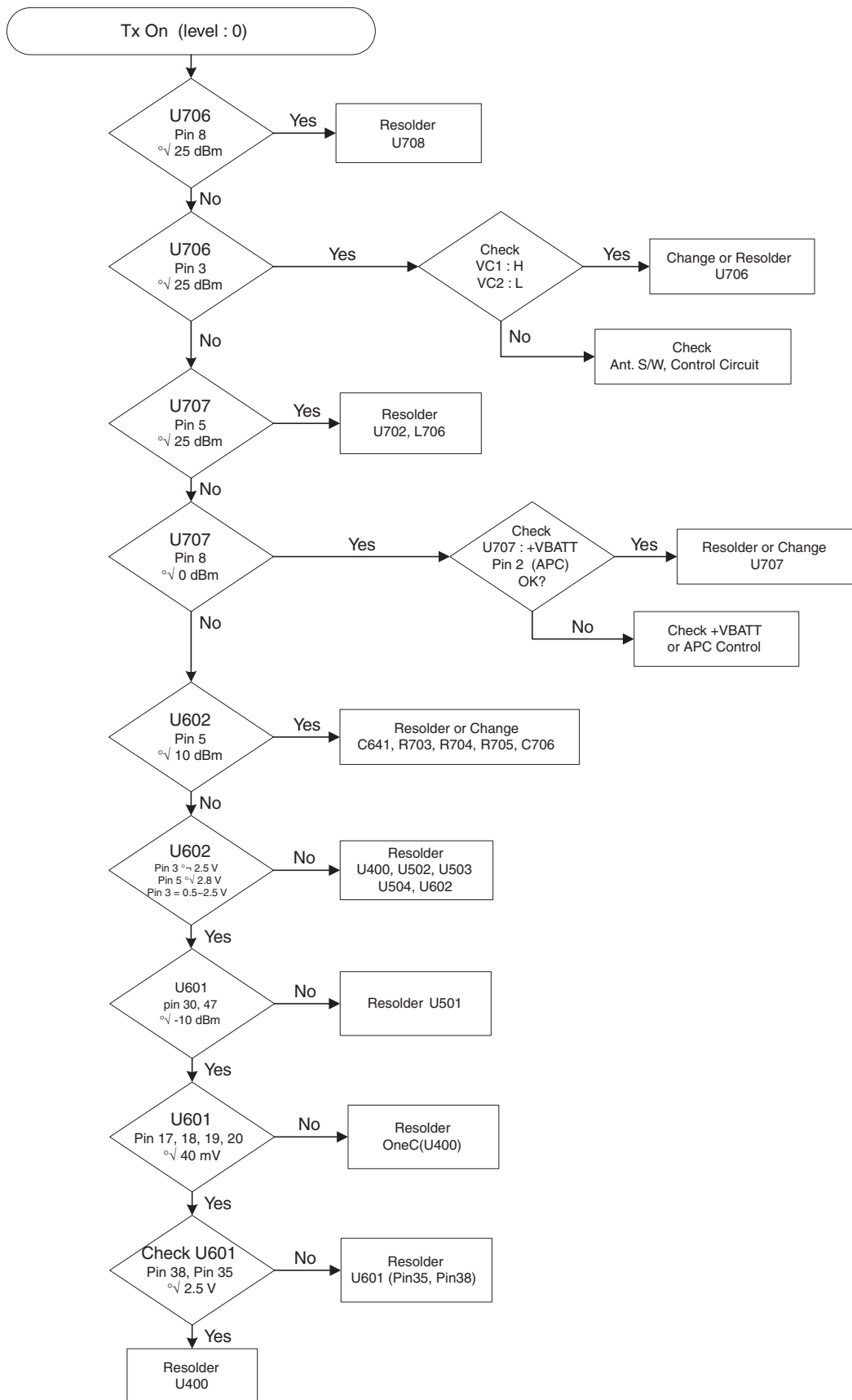
5-13 GSM Transmit



5-14 DCS Receiver



5-15 DCS Transmit



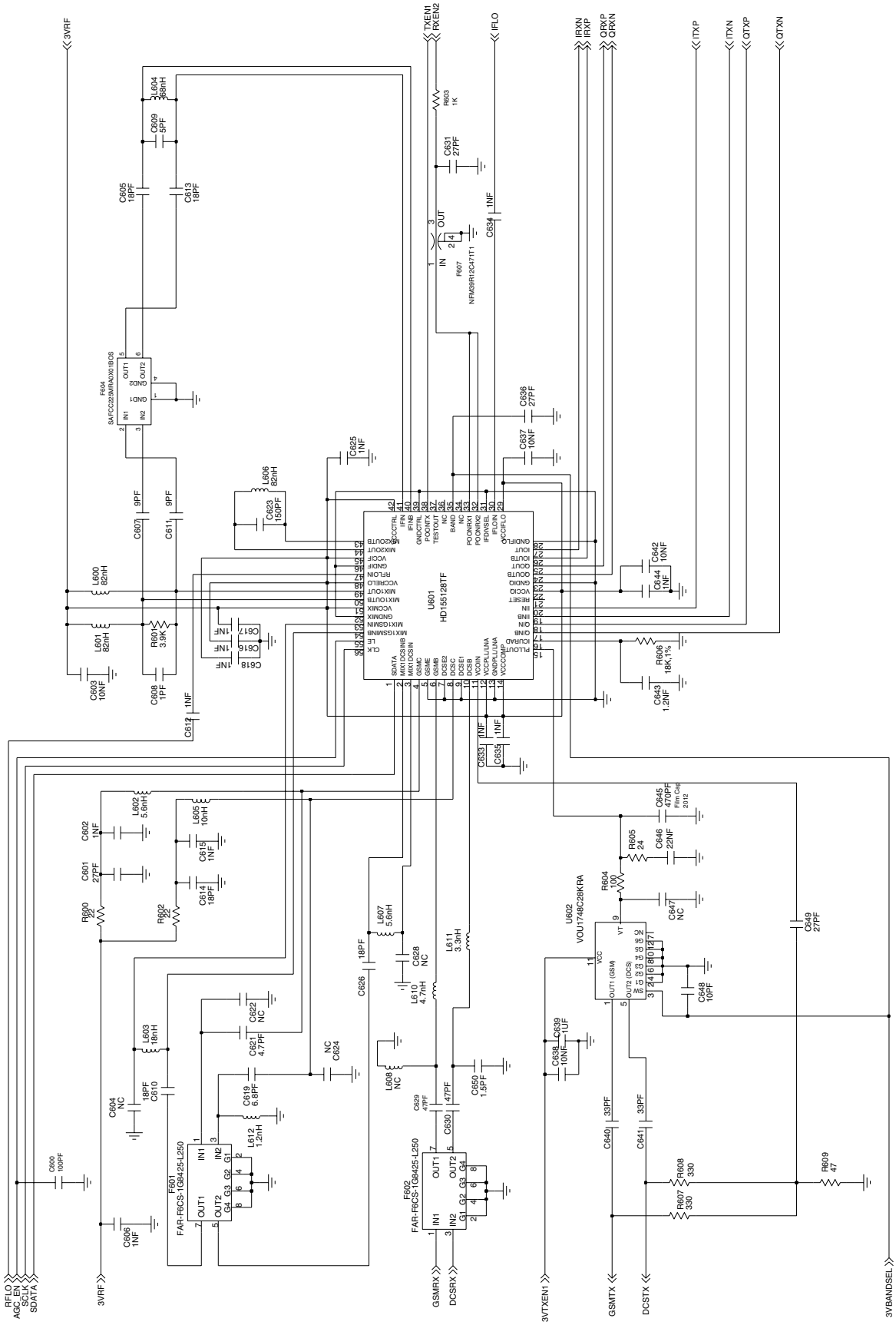
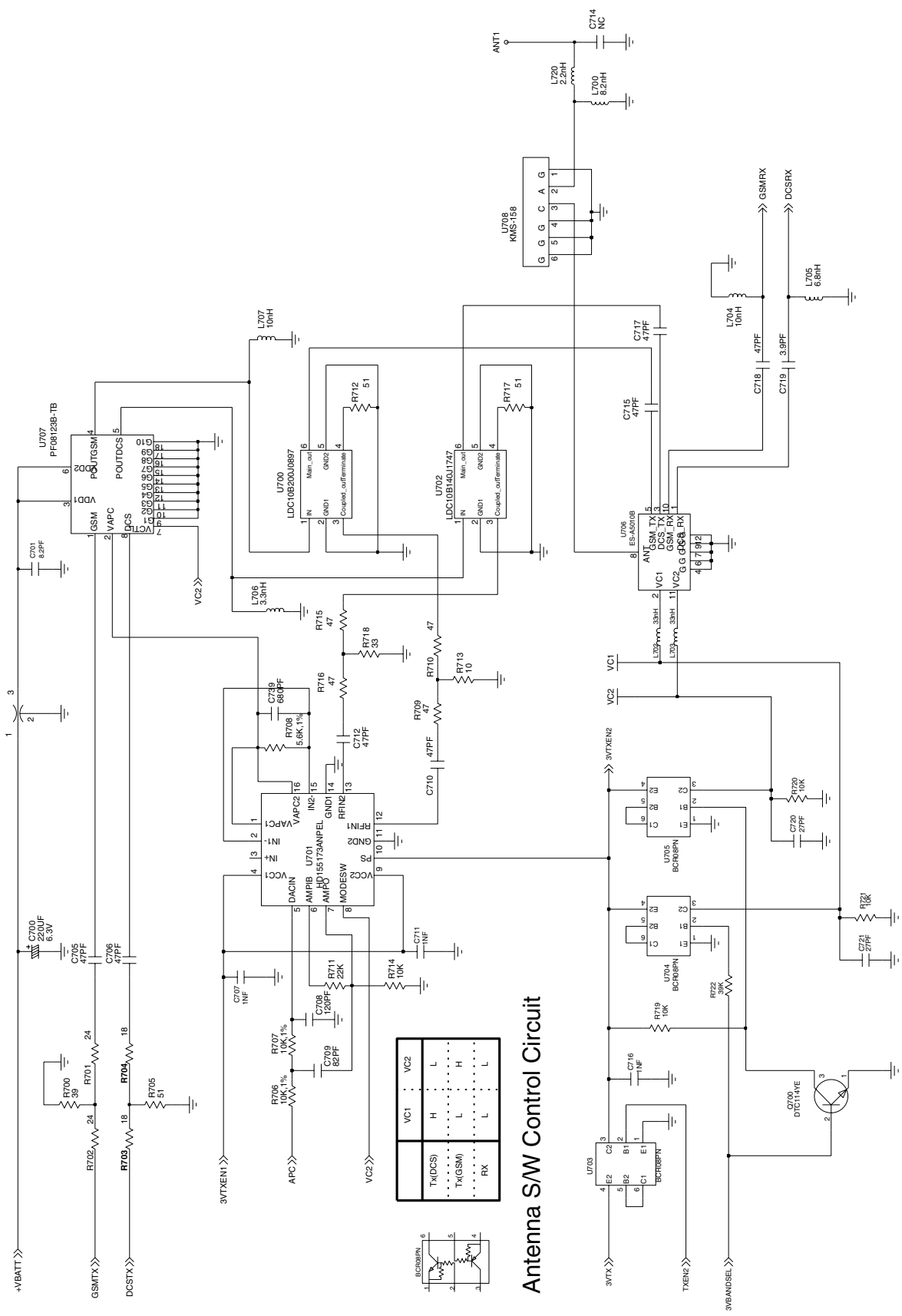


FIG.5
NF469301221



Antenna SW Control Circuit

